



An Oshkosh Corporation Company

**Service Letter**  
**Reference: SL 13-08**

Date: July 10, 2013

**To:** Certain JLG Customers  
**Models Affected:** G9-43A Telehandler Models  
**Subject:** Leaking Counterbalance valve (1001125714)

**Issue:**

JLG has been notified by its supplier of valves that an error in their manufacturing process has resulted in leaks in some of the counterbalance valves shipped to JLG. The referenced counterbalance valve is used on the lift cylinder installed on our G9-43A telehandlers. Below is a photo with an arrow pointing to the subject counterbalance valve.



Attached is a list of units which JLG has determined may contain the suspect valve on the lift cylinder. Also see instructions for completing rework if necessary.

**Warranty:**

JLG recommends at the next service interval a tamper proof cap (70024184) should be purchased and instructions be followed to correct the leak situation if applicable. The part can only be ordered by a local servicing entity of JLG products. This servicing entity must have a JLG account and be capable of purchasing parts and filing warranty claims. There will be no travel time allotted for this campaign. JLG will reimburse you the cost of the cap as well as .5 (1/2) hr. for each unit completed. Please reference campaign SL 13-08 when filing your warranty claim. This notification will expire one year from date of issuance. Please call the Customer Support department at 1-877-554-5438 if you have any questions.

**Affected Serial Numbers**

0160043049	0160043376	0160043694	0160043983
0160043056	0160043386	0160043696	0160043985
0160043057	0160043389	0160043697	0160043992
0160043064	0160043392	0160043703	0160043993
0160043101	0160043401	0160043704	0160043998
0160043103	0160043403	0160043709	0160044067
0160043104	0160043470	0160043769	0160044074
0160043111	0160043474	0160043770	0160044075
0160043112	0160043490	0160043776	0160044082
0160043119	0160043491	0160043777	0160044083
0160043127	0160043494	0160043782	0160044084
0160043133	0160043503	0160043783	0160044089
0160043134	0160043505	0160043784	0160044090
0160043135	0160043506	0160043788	0160044091
0160043136	0160043509	0160043790	0160044099
0160043137	0160043574	0160043791	0160044101
0160043138	0160043575	0160043797	0160044106
0160043139	0160043580	0160043798	0160044181
0160043140	0160043581	0160043803	0160044182
0160043141	0160043582	0160043866	0160044191
0160043152	0160043588	0160043867	0160044192
0160043153	0160043589	0160043873	0160044199
0160043160	0160043590	0160043874	0160044201
0160043164	0160043595	0160043879	0160044202
0160043172	0160043596	0160043880	0160044208
0160043175	0160043603	0160043885	0160044209
0160043180	0160043605	0160043887	0160044210
0160043295	0160043610	0160043888	0160044220
0160043298	0160043611	0160043894	0160044222
0160043304	0160043675	0160043900	0160044228
0160043307	0160043676	0160043964	0160044231
0160043363	0160043682	0160043965	0160044309
0160043364	0160043683	0160043971	0160044310
0160043367	0160043688	0160043977	0160044317
0160043370	0160043689	0160043978	0160044318
0160043372	0160043690	0160043979	0160044326

0160044327	0160044831	0160045340	0160045830
0160044329	0160044832	0160045341	0160045834
0160044333	0160044841	0160045343	0160045923
0160044334	0160044844	0160045429	0160045927
0160044343	0160044849	0160045432	0160045936
0160044345	0160044935	0160045440	0160045937
0160044349	0160044936	0160045442	0160045946
0160044352	0160044947	0160045444	0160045948
0160044405	0160044948	0160045453	0160045949
0160044406	0160044954	0160045455	0160045951
0160044414	0160044957	0160045457	0160045958
0160044416	0160044958	0160045466	0160045960
0160044418	0160044965	0160045472	0160045962
0160044424	0160044967	0160045475	0160045970
0160044425	0160044968	0160045563	0160045974
0160044435	0160044977	0160045567	0160046058
0160044437	0160044980	0160045575	0160046062
0160044442	0160044986	0160045577	0160046071
0160044521	0160045080	0160045585	0160046072
0160044522	0160045083	0160045587	0160046080
0160044533	0160045084	0160045589	0160046082
0160044534	0160045090	0160045590	0160046083
0160044540	0160045095	0160045597	0160046085
0160044543	0160045096	0160045599	0160046092
0160044551	0160045106	0160045601	0160046094
0160044553	0160045107	0160045610	0160046096
0160044554	0160045112	0160045613	0160046104
0160044563	0160045118	0160045631	0160046108
0160044566	0160045122	0160045635	0160046199
0160044572	0160045126	0160045643	0160046201
0160044741	0160045127	0160045645	0160046203
0160044742	0160045188	0160045654	0160046211
0160044753	0160045190	0160045656	0160046212
0160044754	0160045191	0160045658	0160046214
0160044760	0160045200	0160045659	0160046215
0160044763	0160045202	0160045667	0160046223
0160044764	0160045203	0160045669	0160046224
0160044771	0160045213	0160045670	0160046226
0160044773	0160045215	0160045678	0160046227
0160044774	0160045222	0160045682	0160046237
0160044783	0160045224	0160045783	0160046238
0160044786	0160045297	0160045787	0160046239
0160044792	0160045300	0160045796	0160046257
0160044799	0160045307	0160045797	0160046259
0160044800	0160045309	0160045806	0160046261
0160044811	0160045312	0160045808	0160046269
0160044812	0160045320	0160045810	0160046270
0160044818	0160045322	0160045811	0160046272
0160044821	0160045324	0160045818	0160046274
0160044822	0160045330	0160045820	0160046282
0160044829	0160045333	0160045822	0160046283

0160046285	0160046737	0160047148	0160047582
0160046286	0160046746	0160047156	0160047584
0160046294	0160046747	0160047157	0160047590
0160046295	0160046749	0160047159	0160047592
0160046296	0160046756	0160047168	0160047602
0160046298	0160046757	0160047169	0160047603
0160046299	0160046759	0160047170	0160047606
0160046308	0160046767	0160047172	0160047700
0160046310	0160046768	0160047276	0160047701
0160046410	0160046769	0160047277	0160047703
0160046412	0160046771	0160047279	0160047704
0160046414	0160046878	0160047280	0160047712
0160046422	0160046880	0160047288	0160047715
0160046423	0160046887	0160047289	0160047716
0160046425	0160046888	0160047297	0160047724
0160046427	0160046890	0160047298	0160047725
0160046435	0160046898	0160047300	0160047727
0160046436	0160046899	0160047308	0160047728
0160046438	0160046901	0160047309	0160047736
0160046439	0160046909	0160047311	0160047739
0160046447	0160046910	0160047319	0160047740
0160046448	0160046911	0160047320	0160047748
0160046449	0160046913	0160047321	0160047749
0160046451	0160046917	0160047322	0160047752
0160046452	0160046918	0160047418	0160047862
0160046460	0160046964	0160047419	0160047865
0160046462	0160046978	0160047420	0160047866
0160046464	0160046979	0160047421	0160047873
0160046466	0160046980	0160047429	0160047874
0160046468	0160046981	0160047431	0160047876
0160046579	0160046989	0160047432	0160047877
0160046580	0160046991	0160047440	0160047885
0160046582	0160046998	0160047441	0160047886
0160046584	0160046999	0160047443	0160047888
0160046592	0160047001	0160047444	0160047889
0160046593	0160047008	0160047452	0160047896
0160046595	0160047009	0160047454	0160047899
0160046596	0160047011	0160047455	0160047900
0160046604	0160047020	0160047461	0160047908
0160046605	0160047021	0160047462	0160047909
0160046606	0160047022	0160047464	0160047912
0160046608	0160047024	0160047557	0160048007
0160046609	0160047124	0160047558	0160048009
0160046618	0160047125	0160047560	0160048012
0160046620	0160047127	0160047561	0160048019
0160046722	0160047128	0160047562	0160048022
0160046723	0160047135	0160047563	0160048024
0160046725	0160047136	0160047570	0160048025
0160046726	0160047138	0160047572	0160048031
0160046734	0160047145	0160047579	0160048032
0160046735	0160047146	0160047581	0160048035

0160048036	0160048404	0160048787	0160049261
0160048043	0160048405	0160048790	0160049266
0160048044	0160048414	0160048799	0160049267
0160048047	0160048417	0160048800	0160049273
0160048048	0160048506	0160048803	0160049274
0160048055	0160048507	0160048805	0160049275
0160048058	0160048509	0160048811	0160049276
0160048106	0160048511	0160048812	0160049282
0160048107	0160048513	0160048813	0160049283
0160048109	0160048519	0160048816	0160049284
0160048111	0160048520	0160048824	0160049285
0160048117	0160048522	0160048826	0160049289
0160048118	0160048524	0160048915	0160049290
0160048121	0160048526	0160048916	0160049291
0160048122	0160048534	0160048917	0160049374
0160048128	0160048537	0160048919	0160049376
0160048131	0160048539	0160048926	0160049377
0160048132	0160048541	0160048928	0160049379
0160048139	0160048547	0160048929	0160049384
0160048141	0160048548	0160048938	0160049390
0160048144	0160048551	0160048940	0160049391
0160048219	0160048553	0160048942	0160049393
0160048221	0160048554	0160048943	0160049395
0160048224	0160048562	0160048945	0160049401
0160048231	0160048564	0160048951	0160049402
0160048232	0160048624	0160048952	0160049404
0160048234	0160048625	0160048954	0160049405
0160048236	0160048627	0160048961	0160049410
0160048237	0160048629	0160048962	0160049411
0160048243	0160048631	0160048964	0160049413
0160048244	0160048637	0160049138	0160049415
0160048247	0160048638	0160049139	0160049500
0160048248	0160048641	0160049140	0160049502
0160048255	0160048643	0160049141	0160049503
0160048256	0160048651	0160049147	0160049505
0160048259	0160048652	0160049148	0160049510
0160048269	0160048655	0160049149	0160049512
0160048272	0160048657	0160049155	0160049517
0160048355	0160048659	0160049156	0160049521
0160048365	0160048666	0160049157	0160049522
0160048377	0160048669	0160049158	0160049529
0160048378	0160048671	0160049164	0160049530
0160048380	0160048676	0160049165	0160049531
0160048382	0160048678	0160049166	0160049533
0160048383	0160048682	0160049167	0160049538
0160048388	0160048773	0160049172	0160049539
0160048389	0160048774	0160049173	0160049541
0160048392	0160048776	0160049174	0160049543
0160048393	0160048777	0160049258	0160049600
0160048400	0160048779	0160049259	0160049601
0160048401	0160048786	0160049260	0160049603

0160049609	0160049991	0160050275	0160050788
0160049610	0160049992	0160050376	0160050795
0160049612	0160049994	0160050377	0160050798
0160049614	0160050000	0160050379	0160050799
0160049616	0160050001	0160050385	0160050904
0160049617	0160050003	0160050386	0160050905
0160049619	0160050005	0160050387	0160050909
0160049620	0160050021	0160050389	0160050911
0160049622	0160050023	0160050394	0160050920
0160049624	0160050024	0160050396	0160050921
0160049643	0160050029	0160050397	0160050923
0160049645	0160050031	0160050399	0160050924
0160049652	0160050032	0160050403	0160050933
0160049653	0160050034	0160050405	0160050943
0160049655	0160050040	0160050406	0160050944
0160049656	0160050042	0160050408	0160050945
0160049662	0160050044	0160050414	0160050946
0160049665	0160050098	0160050416	0160050954
0160049672	0160050100	0160050418	0160050955
0160049673	0160050101	0160050594	0160050956
0160049675	0160050103	0160050595	0160051056
0160049676	0160050110	0160050598	0160051057
0160049708	0160050111	0160050600	0160051059
0160049709	0160050112	0160050609	0160051060
0160049711	0160050114	0160050610	0160051062
0160049718	0160050120	0160050612	0160051063
0160049720	0160050121	0160050613	0160051065
0160049722	0160050122	0160050623	0160051072
0160049724	0160050124	0160050625	0160051085
0160049731	0160050128	0160050627	0160051086
0160049733	0160050129	0160050635	0160051088
0160049734	0160050130	0160050636	0160051098
0160049741	0160050132	0160050638	0160051101
0160049744	0160050137	0160050639	0160051102
0160049746	0160050139	0160050646	0160051206
0160049753	0160050141	0160050649	0160051207
0160049755	0160050236	0160050650	0160051209
0160049756	0160050239	0160050741	0160051219
0160049959	0160050245	0160050742	0160051220
0160049961	0160050246	0160050745	0160051222
0160049964	0160050247	0160050747	0160051223
0160049966	0160050249	0160050758	0160051232
0160049974	0160050255	0160050759	0160051233
0160049975	0160050257	0160050761	0160051235
0160049976	0160050258	0160050762	0160051236
0160049977	0160050263	0160050772	0160051246
0160049978	0160050264	0160050774	0160051247
0160049983	0160050265	0160050776	0160051249
0160049984	0160050266	0160050784	0160051250
0160049985	0160050271	0160050785	0160051261
0160049986	0160050273	0160050787	0160051262

0160051264	0160051723	0160052042	0160052344
0160051362	0160051734	0160052054	0160052346
0160051363	0160051736	0160052057	0160052347
0160051365	0160051748	0160052059	0160052359
0160051367	0160051749	0160052066	0160052361
0160051370	0160051751	0160052068	0160052362
0160051371	0160051764	0160052069	0160052375
0160051374	0160051852	0160052158	0160052376
0160051376	0160051854	0160052161	0160052378
0160051379	0160051855	0160052173	0160052385
0160051385	0160051856	0160052175	0160052387
0160051541	0160051868	0160052176	0160052388
0160051542	0160051870	0160052188	0160052498
0160051553	0160051871	0160052191	0160052511
0160051555	0160051883	0160052203	0160052512
0160051556	0160051898	0160052205	0160052514
0160051568	0160051900	0160052206	0160052527
0160051581	0160051902	0160052208	0160052528
0160051582	0160052009	0160052215	0160052541
0160051584	0160052012	0160052217	0160052543
0160051595	0160052024	0160052218	0160052544
0160051596	0160052026	0160052317	0160052554
0160051706	0160052027	0160052329	0160052555
0160051708	0160052039	0160052331	
0160051722	0160052041	0160052332	

Customer Support  
North America @ 1-877-554-5438.  
Europe @ +44 (0) 141 781 6725

**CAUTION: USE ALL APPLICABLE SAFETY PRECAUTIONS WHILE WORKING ON, UNDER OR AROUND ANY MACHINERY.**

**IMPORTANT:** Proper care must be taken to ensure a safe condition exists before servicing any component. User is responsible for safe operation and service of machinery per JLG specification **ONLY** before, during and after performance of any modification under this service bulletin.

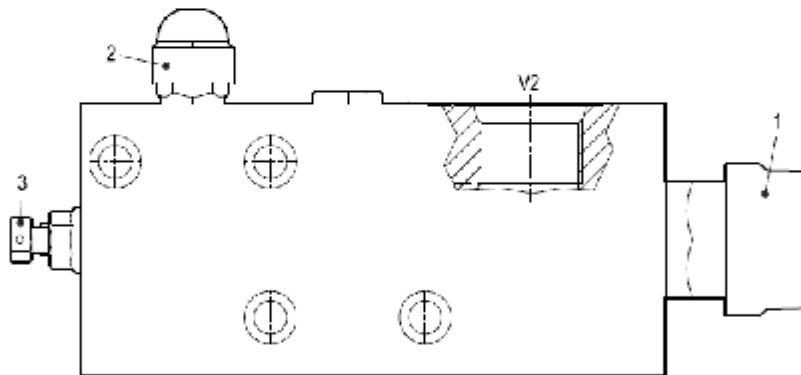
**IMPORTANT:** If valve is found to be damaged, adjusted in any way, or tampered with in any way it must be removed and replaced completely. This service bulletin is ineffective for any condition other than that explicitly described below.

**Symptom:** Transient leakage from beneath cover nut escapes plastic tamper resistant cap.

**Diagnosis:** Cover nut not tightened to specification.

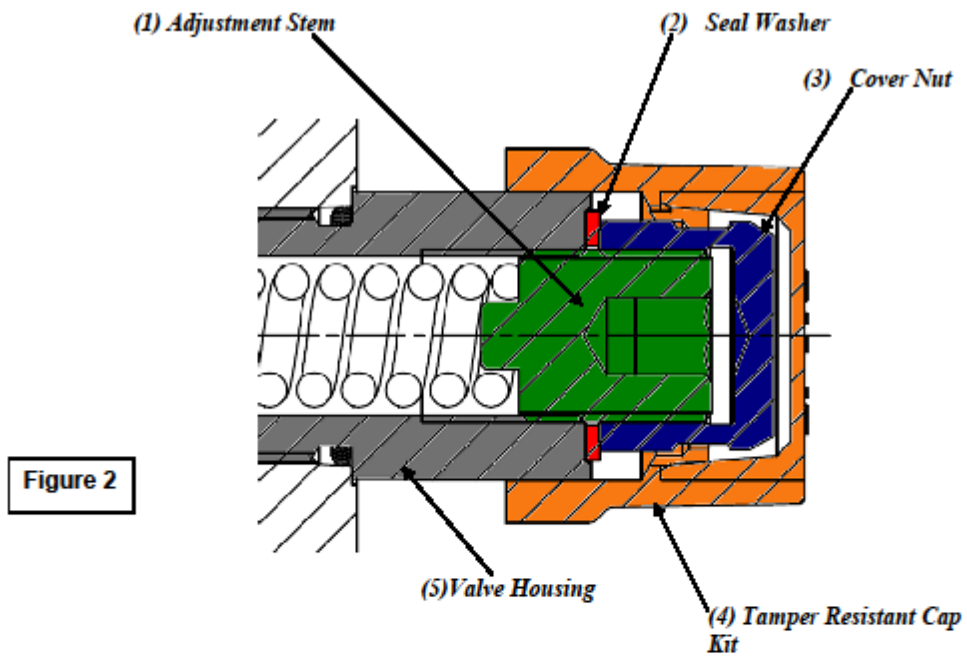
**Repair:** Remove tamper resistant cap. Tighten cover nut. Replace tamper resistant cap.

*(1) Tamper Resistant  
Cap over Cover Nut  
(May be painted)*



**Figure 1**





#### REPAIR OPERATION

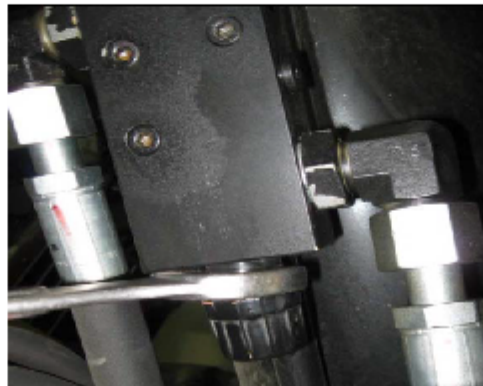
##### 1) Remove Tamper Resistant Cap

- Remove orange plastic cap assembly (cover & retainer).(Fig 1, #1 & Fig 2, #4)

**Note:** Cap assembly may be painted. (See Photo. 1 below)

- Do not damage cover nut (Fig 2, #3) or housing (Fig 2, #5) beneath.
- Dispose of all original plastic cap ass'y components or pieces.

Photo. 1



## 2) Tighten Cover Nut

**WARNING: Do not remove or rotate valve adjustment stem (fig 2, #1) under any circumstance. If valve adjustment is removed or adjusted valve must be completely replaced!**

- Inspect area around cover nut, seal and valve housing for leakage.
- Wipe clean external area only. Do not disassemble valve components
- Inspect cover nut to ensure it was not damaged during removal of tamper resistant cap.

**Note: Cover nut may be removed and replaced only if original nut was damaged or lost by technician conducting repair. Seal washer must be present.**

- Ensure that cover nut (Fig. 2, #3) is properly threaded over valve adjustment stem (Fig. 2, #1) and seal washer (Fig. 2, #2) is present beneath the nut.
- Finger tighten only, the cover nut compressing seal washer.
- Pre-Tightening ensures that valve adjustment is not changed when torquing cover nut.
- Tighten cover nut to 55Nm (40 Ft/Lbs) torque.

## 3) Install Tamper Resistant Cap (70024184)

- Ensure area around cover nut and valve housing / hex is clean and free of oil and debris.
- Place retainer ring around valve housing / hex.
- Press cover cap into place inside retainer ring until top surfaces are approximately flush.
- Gentle tapping of the cap using a rubber mallet may be necessary. (See Photo 2 below)
- Do not damage or deform tamper resistant cap material.

**If tamper resistant cap is cracked, damaged, or deformed in any way during re-installation, it must be removed and a new tamper resistant cap kit installed.**



**Photo 2**



**Photo 3**  
**(showing valve after completion of procedure)**