

E400AN

ELECTRIC BOOM

BOOM LIFT



KEY SPECS

Platform Height
40-ft / 12.19-m

Up and Over Reach
21-ft 6-in / 6.55-m

Horizontal Outreach
21-ft 2-in / 6.45-m

Platform Capacity
500-lb / 227-kg

KEY FEATURES

- Achieve maximum maneuverability by moving over uneven surfaces with Automatic Traction Control.
- Achieve optimum productivity with longer duty cycles.
- Produces zero emissions, 100% environmentally friendly.
- Enhance up and over access with an optional jib in E400AJPN model.

ACCESSORIES & OPTIONS

- 1/2-in Airline to Platform
- Batteries, AGM
- Ambient White Noise Alarm
- Batteries, AGM
- Inverter - 1200W¹
- Inward Self-closing Swing Gate
- Light Package²
- Platform Mesh to Mid or Top Rail³
 - Aluminum or Plastic
- Platforms
 - Drop Bar, 30 x 36-in, 30 x 60-in, 30 x 48-in
- Inward Self-Closing Swing Gate, 30 x 48-in, 30 x 60-in
- Storage Tray - Center
- UL EE Rating

1. Not Available On UL EE Rating.
2. Includes Platform Lights, Head and Tail Lights.
3. Not Available for 30 x 60-in Platform.

Additional Accessories and Options Available Via JLG Aftermarket.

STANDARD SPECIFICATIONS

Performance

| | |
|----------------------------------|---------------------------------|
| Platform Height | 40-ft / 12.19-m |
| Horizontal Outreach | 21-ft 2-in / 6.45-m |
| Up and Over Clearance | 21-ft 6-in / 6.55-m |
| Swing | 360 Degrees Non-Continuous |
| Platform Capacity | 500-lb / 227-kg |
| Platform Rotator | 180 Degrees Hydraulic |
| Weight* | 12,610-lb / 5,720-kg |
| Ground Bearing Pressure | 95 psi / 6.6 kg/cm ² |
| Max Drive Speed | 4.2 mph / 6.7 km/h |
| Gradeability | 30% |
| Turning Radius Inside (2WS/4WS) | 2-ft 10-in / .86-m |
| Turning Radius Outside (2WS/4WS) | 10-ft 4-in / 3.15-m |

Power Source

| | |
|-------------------|------------------------|
| Electrical System | 48V DC |
| Batteries | 8 x 6V, 312 amp-hr |
| Drive Motors | Dual Electric Traction |

Tires

| | |
|------------------|------------------------------------|
| Standard (Front) | 22 x 6 x 17.5-in Solid Non-marking |
| (Rear) | 25 x 7 x 12-in Solid Non-marking |

Hydraulic System

| | |
|------------|----------------------------------|
| Capacity | 4 gal / 15.14 L |
| Motor/Pump | Permanent Magnet Motor/Gear Pump |

STANDARD FEATURES

- 110V-AC Receptacle in the Platform
- 12V DC Auxilliary Power
- 180 Degree Hydraulic Platform Rotator
- 3 Degree Tilt Cut-out
- All Motion Alarm
- Automatic Traction Control (ATC)
- Battery Condition Indicator
- Brushless AC Motors
- ClearSky Smart Fleet™ Hardware (CS550)**
- Horn
- Hourmeter
- LED Motion/Amber Beacon (CS550)**
- Lifting/Tie Down Lugs
- Load Sensing System
- Platform Console Machine Status Light Panel***
- SkyGuard SkyLine™
- Tilt Light and Alarm

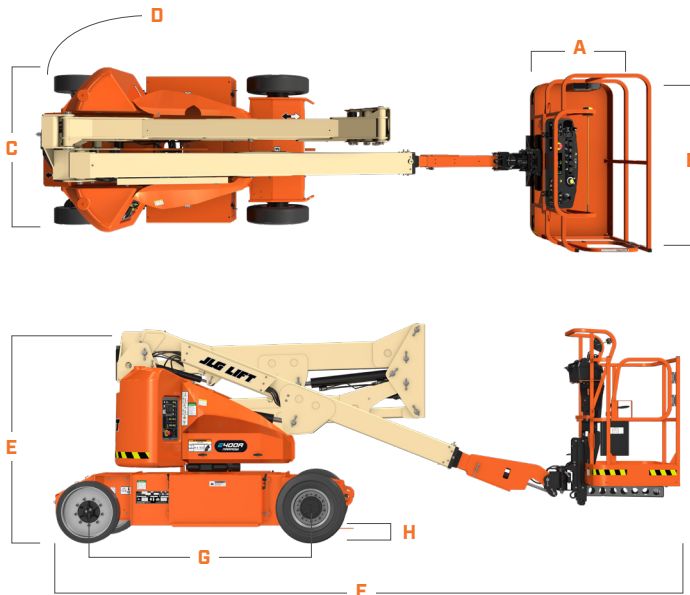
*Certain options or country standards increase weight.

**Standard beacon and ClearSky Smart Fleet hardware availability varies by model throughout 2023.

***Provides indicator lights at platform control console for system distress, low fuel, degree tilt light and foot switch status.

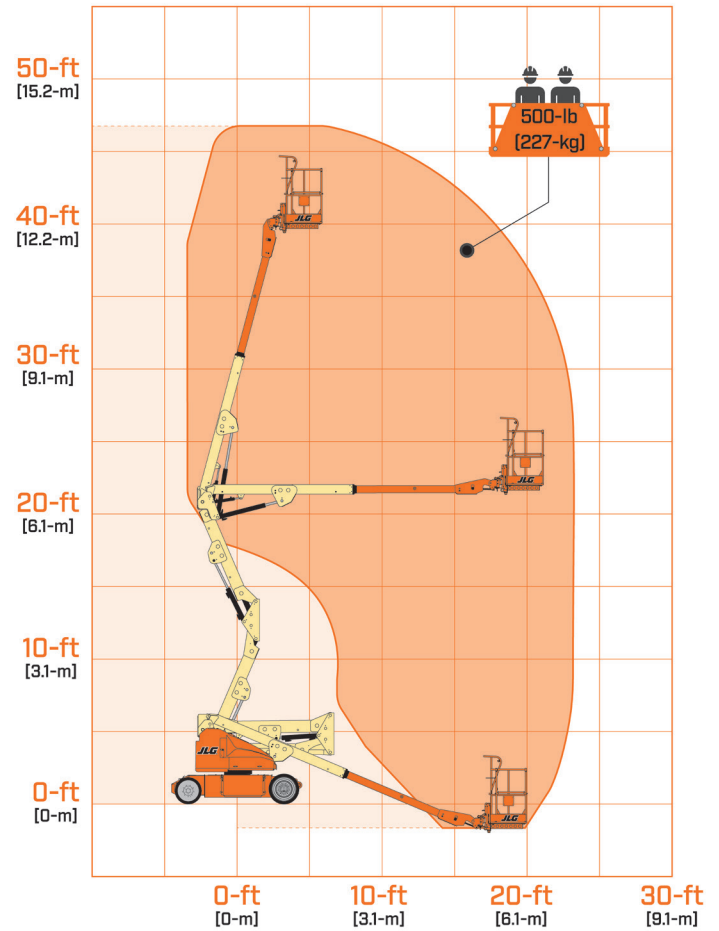
DIMENSIONS

All dimensions are approximate



| | |
|---------------------|-----------------------|
| A. Platform Width | 30-in / 76-cm |
| B. Platform Length | 48-in / 1.22-m |
| C. Machine Width | 4-ft 11-in / 1.5-m |
| D. Tailswing | 4-in / 10-cm |
| E. Machine Height | 6-ft 5.75-in / 1.97-m |
| F. Machine Length | 18-ft 1-in / 5.51-m |
| G. Wheelbase | 6-ft 7-in / 2.01-m |
| H. Ground Clearance | 8.5-in / 22-cm |

REACH DIAGRAMS



We provide coverage for one (1) full year, and cover all specified major structural components for five (5) years. Due to continuous product improvements, we reserve the right to make specification and/or equipment changes without prior notification. This machine meets or exceeds applicable ANSI and CSA requirements based on machine configuration as originally manufactured for intended applications. Please reference the serial number plate on the machine for additional information.



**Oshkosh-JLG (S) Technology
Equipment Pte Ltd**
32 Jalan Kilang Barat
Kewalram House, 159364
Singapore
Phone: +65 6591 9368