

30AM

ACCESSMASTER®
PUSH-AROUND VERTICAL

VERTICAL MAST LIFT



KEY SPECS

Platform Height
29.7-ft / 9.05-m

Machine Width
29.1-in / 74-cm

Platform Capacity
300-lb / 136-kg

Weight*
1,030-lb / 467-kg - AC
1,110-lb / 503-kg - DC

KEY FEATURES

- Ideal choice for a low-cost solution to overhead work and maintenance applications.
- Optimum operator comfort and stability with the most rigid mast in the industry.
- Improved maneuverability thanks to six-wheel design.
- More productivity with long battery duty cycles and an automatic charger.

STANDARD SPECIFICATIONS

Performance

Performance	Indoor Only
Platform Height	29.7-ft / 9.05-m
Working Height	35.7-ft / 10.88-m
Platform Capacity	300-lb / 136-kg
Distance to Wall (Front)	9.5-in / 24.13-cm
Distance to Wall (Side)	20.5-in / 52.07-cm
Weight (AC)*	1,030-lb / 467-kg
Weight (DC)*	1,110-lb / 503-kg

*Certain options or country standards increase weight

Power Source

Batteries	12V 93 Amp hr (DC Only)
Battery Charger	Automatic (DC Only)

Wheels

Rear Wheels	10 x 2-in / 25 x 5-cm
Front Caster Wheels	6 x 2-in / 15 x 5-cm

STANDARD FEATURES

- 26 x 28-in (66 x 71-cm) —Gull-Wing Entry Platform
- 93 AH Lead-Acid Battery—DC Models Only
- 110 Volt Double Receptacle in Platform
- Auto Power Saver—Shuts Off Power When Idled
- Automatic Battery Charger—DC Models Only
- Battery Discharge Indicator (BDI)
- Descent Alarm
- Hourmeter
- Lanyard Attachment Anchor for Body Harness
- Low Maintenance Anodized Mast With 5 Times the Life of Previous Models
- Non-Marking Tires
- Quick-Change Platform Mounts
- Roller Loading Device: For Loading on Pickup Trucks

ACCESSORIES & OPTIONS

- 12V 100Ah AGM Battery
- 22 x 22-in Gullwing Platform
- 26 x 26-in Right Side Entry Platform
- Auxiliary Lowering
- Amber Beacon
- Crane Hook
- Fluorescent Tube Caddy
- Locking Casters
- Programmable 4-Digit Security Lock
- Tool Tray
8 x 18 x 5-in (20 x 46 x 13-cm)

30AM

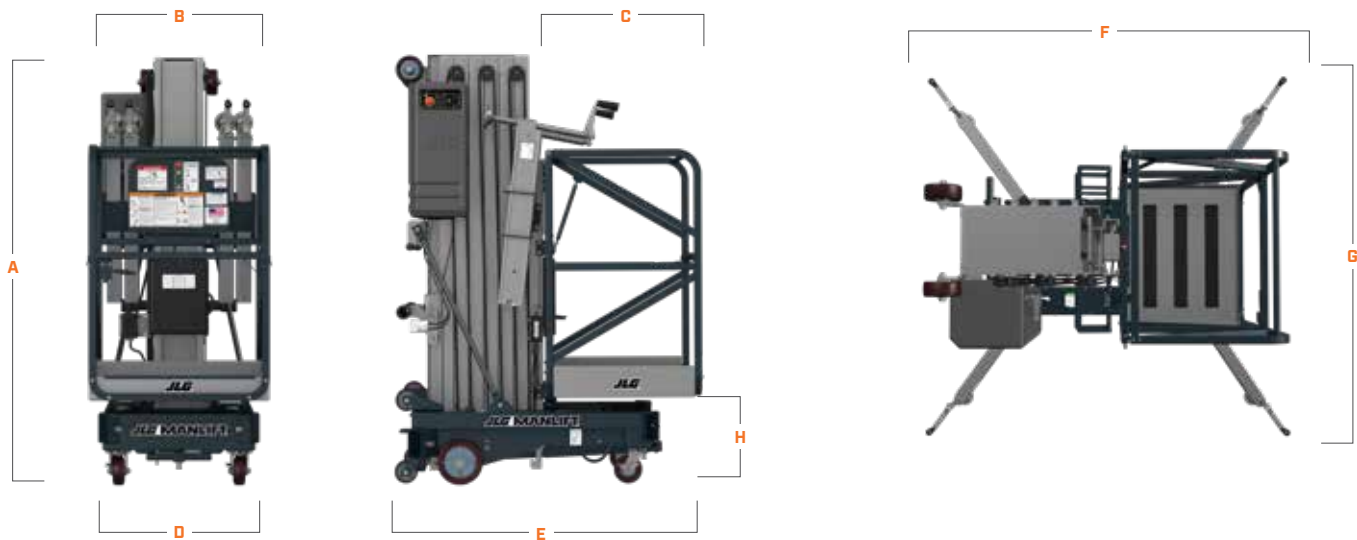
ACCESSMASTER®
PUSH-AROUND VERTICAL

VERTICAL MAST LIFT



DIMENSIONS

All dimensions are approximate



A. Machine Height	78-in / 1.98-m
B. Platform Width	28-in / 71-cm
C. Platform Length	26-in / 66-cm
D. Machine Width	29.1-in / 74-cm
E. Machine Length	51.9-in / 1.31-m
Machine Length without Battery Pack	47-in / 1.19-m
F. Outrigger Length	75-in / 1.91-m
G. Outrigger Width	72-in / 1.83-m
H. Ground Entry Height	18.9-in / 48-cm



We provide coverage for one (1) full year, and cover all specified major structural components for five (5) years. Due to continuous product improvements, we reserve the right to make specification and/or equipment changes without prior notification. This machine meets or exceeds applicable ANSI and CSA requirements based on machine configuration as originally manufactured for intended applications. Please reference the serial number plate on the machine for additional information.



Oshkosh-JLG (S) Technology Equipment Pte Ltd
32 Jalan Kilang Barat
Kewalram House, 159364
Singapore
Phone: +65 6591 9368