

X20J PLUS

COMPACT CRAWLER BOOM



Performance

Working Height	20.05 m
Platform Height	18.05 m
Working Outreach	9.85 m
Up and Over Height	8.20 m
Swing (non-continuous)	360°
Jib - Overall Length	1.68 m
Jib - Range of Articulation (+/-)	89° (+0/-89°)
Platform Capacity (unrestricted)	230 kg
Platform Size	0.69 m x 1.34 m
Stowed Width	1.48 m
Machine Weight (Petrol)*	2,920 kg
Machine Weight (Diesel)*	2,990 kg
Machine Weight (Lithium)*	3,020 kg
Machine Weight (Bi-Energy)*	3,130 kg
Gradeability	28%
Maximum Operating Slope	12°
Maximum Approach/Depart Angles	Front 19° / Rear 15.5°
Width of Undercarriage (retracted/extended)	0.79 m/1.09 m

*Certain options or country standards may increase weight and/or dimensions.

Standard Specifications

Power

Petrol	Petrol Engine Honda iGX440 11 kW AC Electric Motor 230V, 50 Hz 2.2 kW
Diesel	Kubota Z602-E 10.8 kW (14.5 hp) AC Electric Motor 230V, 50 Hz 2.2 kW
Battery	100 AH, 72V Electric Engine with Lithium Battery Package, Including Battery Charger

Tyres

Low Profile Non-marking Rubber Tracks	1.46 m x 0.2 m x 0.35 m
---------------------------------------	-------------------------

Standard Features

- SkyGuard® Enhanced Control Panel Protection
- 0.69 m x 1.34 m Aluminium Two-person Platform
- Slide Bar Rear Entry
- Footswitch
- Full Proportional Control
- Articulating Jib
- Powered Platform Rotator (124°)
- Remote Control (Via Cable to Platform)
- Full Remote Control of Drive and Stabilization
- Multilingual LCD Display on Platform Console
- Platform Console Position Sensor and Lock
- Envelope Management Load Sensing System
- Platform Designed for Ease of Removal/Changeover
- 6.5 mm Air Line to Platform
- Engine Protection
- Rubber Outrigger Pads
- Cylinder Rod Protection on Outriggers
- Automatic Cut-out When Out of Level
- Powered Track Extension/Retraction
- 360° Non-continuous Turntable Rotation
- Turntable Alignment Sensor and Gauge
- Three Emergency Descent Systems
- Electro-hydraulic Controls
- Full Pressure Hydraulic Controls
- 2nd Drive Speed (high)
- Lifting/Tie-down Points
- Forklift Pockets



Accessories & Options

- AC Outlet to Platform, Including ELCB
- Fire Extinguisher

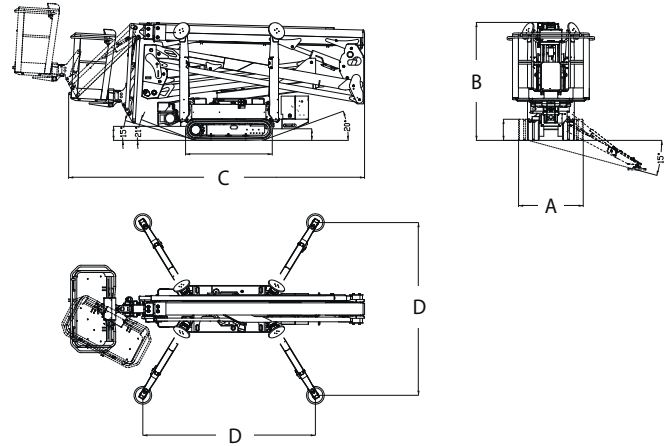
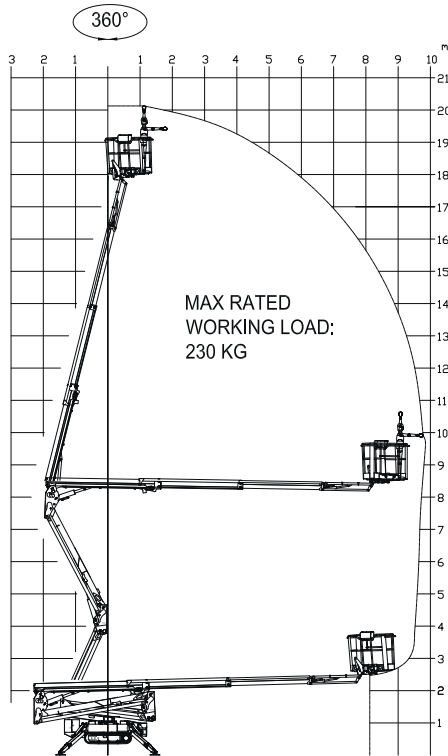
X20J PLUS

COMPACT CRAWLER BOOM



Dimensions

All dimensions are approximate.



- | | |
|------------------------------------|-----------------|
| A. Stowed width (without platform) | 0.795 m |
| B. Stowed height (on tracks) | 1.99 m |
| C. Stowed length (on tracks) | 5.00 m |
| D. Outrigger footprint | 2.92 m x 2.93 m |

The JLG "1 & 5" Warranty

The JLG "1 & 5" Warranty JLG Industries, Inc. backs its products with its exclusive "1 & 5" Warranty. We provide coverage on all products for one (1) full year and cover all specified major structural components for five (5) years. Due to continuous product improvements, we reserve the right to make specification and/ or equipment changes without prior notification.

0725



JLG Industries (Australia)

358 Park Road
 Regents Park, NSW 2143
 Telephone 02 8718 6300
 Fax 02 8718 6377
www.jlg.com.au

An Oshkosh Corporation Company