

# CLEARSKY CS550 BEACON SHIELD ACCESSORIES

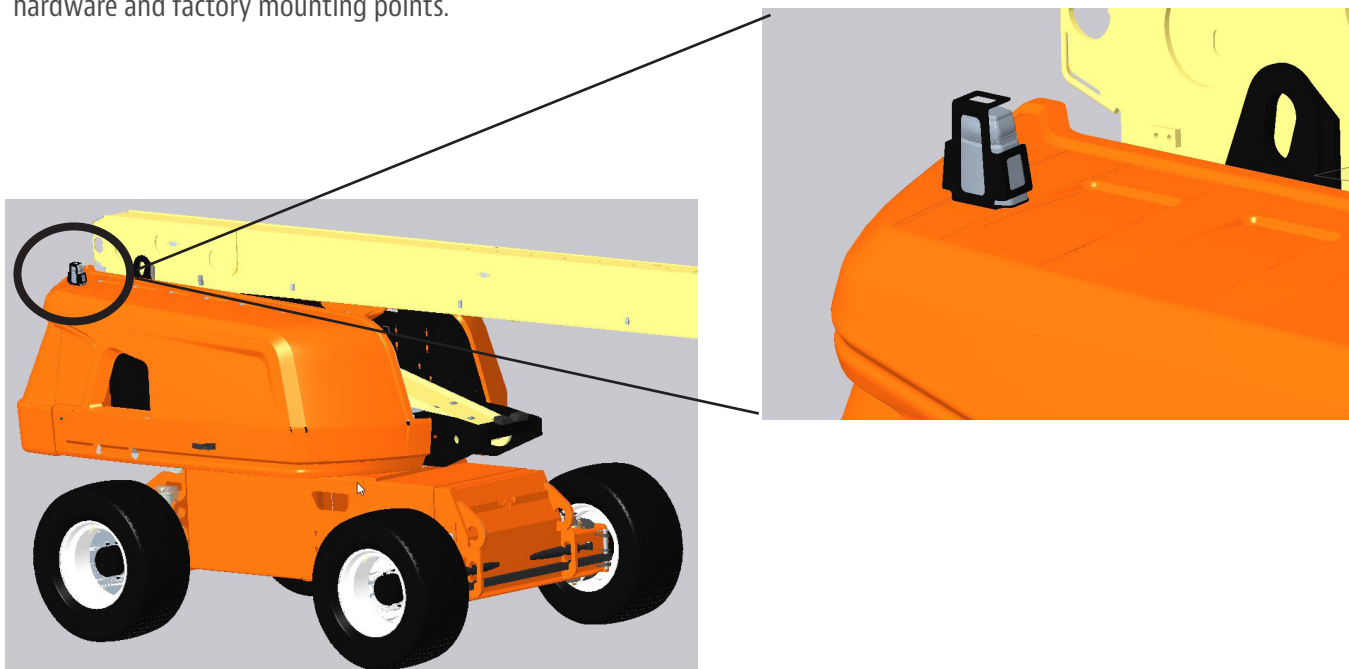


## PROTECT YOUR CLEARSKY CS550 CONTROL/BEACON

Enhance the durability and operational integrity of your Clearsky CS550 Control/Beacon with our newly released Protective Guard Kit. Specifically engineered for machines equipped with the Clearsky system, this kit delivers reliable physical protection without compromising beacon visibility or functionality.

### Features and Benefits

- Complete Installation Kit - all necessary components for easy installation.
- No modifications required - designed to integrate with existing hardware and factory mounting points.



JLG MODEL	JLG PART NUMBER
ALL MACHINES EQUIPPED WITH CLEARSKY CS550 CONTROL (1001280661)	1001315050

### Order Today

Online: [onlineexpress.jlg.com](http://onlineexpress.jlg.com)  
Call: 1-877-554-5438 | Fax: 1-800-733-8939

