

RT5394

ENGINE POWERED ROUGH TERRAIN SERIES

SCISSOR LIFT



KEY SPECS

Platform Height – Elevated

16.15 m

Platform Capacity

680 kg indoor 
680 kg outdoor 

Machine Width

2.31 m

Drive Speed

4WD – Stowed
5.6 km/h

KEY FEATURES



- Optimized power train: Allows for greater fuel efficiency
- Standard 4 ft deck extension: Provides more space for people and materials; makes this model the biggest scissor lift JLG offers
- Standard oscillating axle: Enhances trainability across uneven surfaces while maintaining stability
- Pin-based load-sensing system – No weight needed in the platform for calibration

ACCESSORIES & OPTIONS

- 12 x 16.5 Foam Filled non mark Tires
- 1.79 m x 3.9 m dual deck extension steel platform (deck extensions retracted)
- 395/45 D20 foam filled low profile tires
- 395/45 D20 foam filled non mark tires
- On-board 4000W/50hz belt-driven generator
- Descent alarm
- 13 mm air line to platform
- Platform work lights
- Plugs & Sockets
- Pipe racks (Rail mounted)
- Large Material Rack
- Cold weather package

STANDARD SPECIFICATIONS

Performance

Working Height	18.15 m ****
Platform Height – Elevated	16.15 m ****
Platform Capacity - indoor	 680 kg
Platform Capacity - outdoor	 680 kg
Capacity on Deck Extension	230 kg
Lift/Lower Time (no load)	59/55 sec.
Maximum Drive Height	9.8 m
Machine weight **	7902 kg
Maximum Ground Bearing Pressure - wheels	1.86 kg/cm ²
Maximum Ground Bearing Pressure - on jacks	4.92 kg/cm ²
Drive Speed – Elevated	0.8 km/h
Drive Speed 4WD – Stowed	5.6 km/h
Gradeability 4WD	40%
Turning Radius – Inside	4.04 m
Turning Radius – curb to curb	6.02 m
Max Tilt Rating (side-to-side)	3 degrees ***
Max Tilt Rating (fore & aft)	5 degrees **

* Certain options or country standards may increase weight and/or dimensions.
(Fore to aft) ** 5° up to 9.75 m, 1.3° to 13.7 m (jacks not set), 1.5° to 16.20 m (jacks set)
(Side to Side) ***: 3° up to 9.75 m, 1.3° to 13.7 m (jacks not set), 1.5° to 16.20 m (jacks set)
**** Attainable only with jacks set

Power

Diesel Engine	18.5 kW (25 hp) Kubota D1305- E4B
Drive System	2SPD piston type hydraulic motors
Fuel Tank Capacity	83 L

Tires

Foam Filled	12 x 16.5
-------------	-----------

Hydraulic System

Hydraulic System	129 L
Hydraulic Reservoir	100 L

STANDARD FEATURES

- 1.79 m x 3.8 m single deck extension steel platform (deck extension retracted)
- 1.1 m manual front deck extension (steel)
- 1.79 m x 3.9 m dual deck extension steel platform (deck extensions retracted)
- 1.1 m manual rear deck extension (steel)
- Fold down handrails
- Dual side entry with half swing gates
- Lanyard attach points
- Proportional drive control with thumb steer
- Proportional lift/lower speed control
- Joystick enable for lift and drive
- Moveable and removable platform console box
- Load sensing system
- Kubota D1305-E4B (18.5 kW) diesel engine
- HVO fuel ready
- Programmable "Personality" settings
- On-board self-diagnostic testing
- Engine distress warning/shut down system *
- Hydrostatic drive with anti stall function
- Two speed drive selection
- Four wheel drive
- Tilt alarm and indicator light
- Guardless system with audio visual alarm
- 12 x 16.5 foam filled loader lug tread tires
- 12 x 16.5 foam filled tires
- Oscillating front axle
- Hydraulic levelling jacks
- Lifting/tie down lugs
- Hour meter
- Ground control selector switch with key lock
- Lubrication free scissor arm bushings
- Scissor armstack safety prop
- Horn
- All motion alarm
- AC power cable to platform
- Flashing amber beacon
- Clearsky SMART FLEET connectivity module - subscription through On Line Express

* The engine will automatically shutdown in the event of low oil pressure, high coolant temperature or a temperature sensor or oil pressure sensor fault. Alarm with shut-down enabled/disabled by analyser.

RT5394

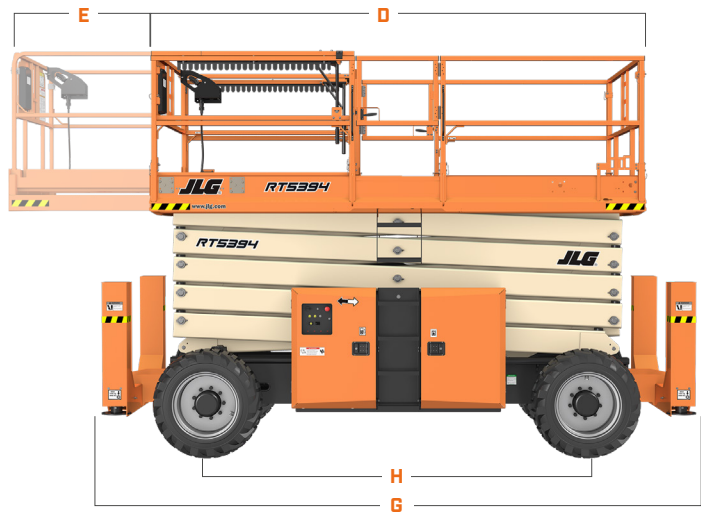
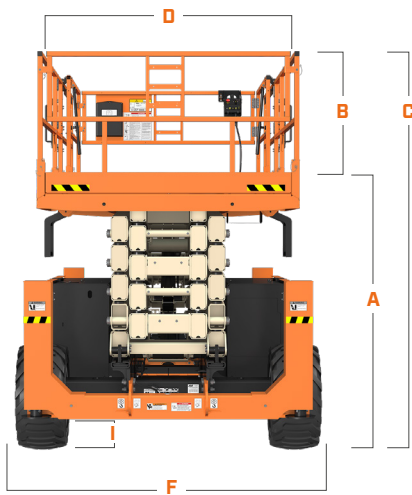
ENGINE POWERED ROUGH TERRAIN SERIES

SCISSOR LIFT



DIMENSIONS

All dimensions are approximate



A.	Platform Height – Lowered	2.06 m
B.	Platform Railing Height	1.10 m
C.	Stowed Height	3.22 m
D.	Platform Size Inside (W x L)	1.79 x 3.86 m
E.	Deck Extension	1.20 m
F.	Overall Width	2.31 m
G.	Overall Length	4.88 m
H.	Wheelbase	2.97 m
I.	Ground Clearance (centre of machine)	0.32 m

IMPORTANT

JLG is continually researching and developing products and reserves the right to make modifications without prior notice. All data in this document is indicative. Certain options or country standards will increase weight. Specifications may change to meet country standards or with the addition of optional equipment.

Due to continuous product improvements, JLG Industries reserves the right to make specification and/or equipment changes without prior notification.



JLG EMEA BV
Polaris Avenue 63
2132 JH Hoofddorp
The Netherlands
Tel.: +31 (0)23 565 5665
www.jlg.com

An Oshkosh Corporation Company