

# 3507

## TELEHANDLER



### Performance

Rated Load Capacity	3500 kg
Maximum Lift Height	7.0 m
Capacity at Max. Height	2000 kg
Maximum Forward Reach	3.7 m
Capacity at Max. Fwd. Reach	1100 kg
Lift Speed (boom retracted)	
Up	6.7 sec
Down	5.9 sec
Boom Speed	
Extended	5.6 sec
Retracted	5.6 sec
Top Travel Speed	40 km/h
Outside Turning Radius (over tyres)	3.7 m
Operating Weight (no attachment)	7680 kg

### Standard Specifications

#### Engine

Make and Model	Deutz TCD 3.6 L04 T4F
Displacement	3.6 L
Standard engine gross power	100 kW (134hp)
Maximum torque	500Nm
Fuel Tank Capacity	148 L

#### Transmission

- 4WD
- Power Shift
- 6-Speed Forward and 3-Speed Reverse

#### Axles

Front	Limited Slip Differential, Planetary Reduction Hub
Rear	Open Differential, Planetary Reduction Hub

#### Brakes

Service Brakes	Boost Assisted Oil Immersed Multi-Disc on Both Axles
Parking Brakes	Cable Actuated Front Axle Internal Wet Disc

#### Tyres

Standard	460/70 R24 (Pneumatic)
	500/70R24 (Pneumatic)

#### Cab

- Air Conditioned fully glazed all weather cab
- ROPS and FOPS certified cab
- Single Joystick Controls
- Adjustable Seat
- Tilt Steering Column
- Rear Wiper
- Radio Ready

#### Steering 4-Wheel

- Power steering with steering wheel spinner
- Three Steering Modes - Two wheel/Four wheel/ Crab

#### Hydraulic System-Implement

Capacity	120 L
Variable Displacement Piston Pump	
Max. Auxilliary Flow to boom Head	100 L/min, 3480 psi



### Accessories & Options

- Brick Guard
- Battery Disconnect Switch
- Air Conditioning
- Road Light Package
- Work Light Package
- Trailer Plug
- ClearSky Smart Fleet
- Reverse Sensing System
- Rear Auxiliary Hydraulics
- Multifunctional Display with Reversing Camera
- Tow Hitch
- Toolbox

### Attachments

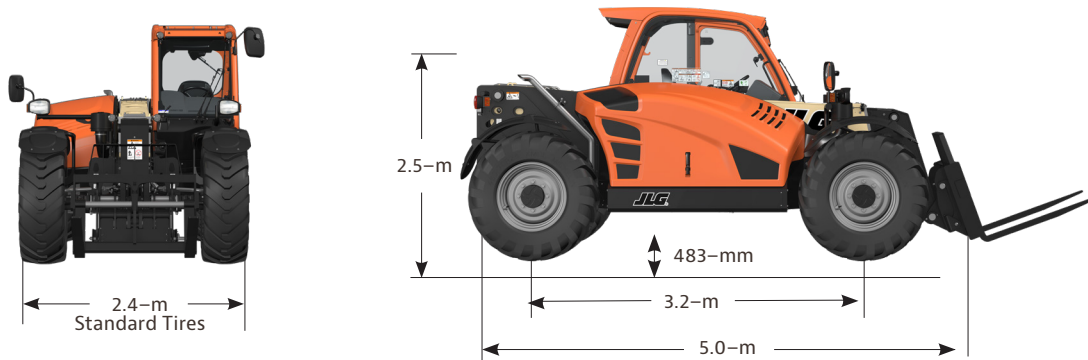
- Standard:
- 1.2 m Standard carriage
- Optional:
- 1.5 m Standard Carriage
  - 1.8 m Standard Carriage
  - Side Shift Carriage
  - Fork Positioning Carriage
  - Fork Rotator Carriage
  - Dual Baling Tynes Carriage
  - Pallet Forks
  - Lumber Forks
  - Extension Forks
  - General Purpose Bucket (1.0 m<sup>3</sup>, 1.5 m<sup>3</sup>, 2.0 m<sup>3</sup>)
  - 4-in-1 Bucket (1.0 m<sup>3</sup>, 2.0 m<sup>3</sup>)
  - Grapple Bucket (1.75 m<sup>3</sup>)
  - Manure Bucket (1.0 m<sup>3</sup>)
  - Lifting Hook
  - Truss Boom
  - Auger (6", 12", 18", 24")

# 3507 TELEHANDLER

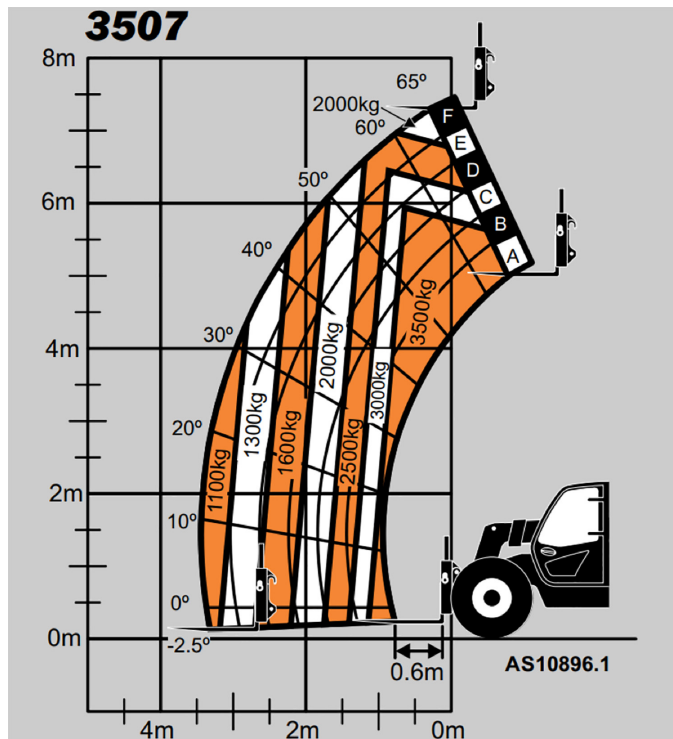


## Dimensions

All dimensions are approximate.



## Load Chart



### The JLG "2 & 5" Warranty

JLG Industries, Inc. backs its products with its exclusive "2 & 5" Warranty. We provide coverage on all products for two (2) full years and cover all specified major structural components for five (5) years. Due to continuous product improvements, we reserve the right to make specification and/ or equipment changes without prior notification. This machine meets or exceeds AS10896.1 2019 as originally manufactured for intended applications.

### JLG Industries (Australia)

358 Park Road  
Regents Park, NSW 2143  
Telephone 02 8718 6300  
Fax 02 8718 6377  
[www.jlg.com.au](http://www.jlg.com.au)

An Oshkosh Corporation Company