

1500AJP

ARTICULATING ULTRA BOOM



KEY SPECS

Platform Height

46.1 m

Up and Over Height

18.40 m

Working Outreach

23.55 m

Platform Capacity

450 kg Restricted
 270 kg Unrestricted

KEY FEATURES

- Expansive work area with a maximum platform height of 150-ft, 60-ft 4-in of up and over height and 75-ft of horizontal outreach.
- Experience faster cycle speeds from ground to full elevation with exclusive QuikStik® boom technology.
- Designed for ease of transport with no oversized load permit needed (over-weight permit required for highway transportation).
- Simple, single sensor load sensing system features fewer parts and requires no weight to calibrate.

ACCESSORIES & OPTIONS

- 0.91 m x 1.83 m low mount platform
- 0.76 m x 0.91 m low mount platform, rear entry *****
- Tri entry 0.91 m x 1.83 m low mount platform
- 13 mm air line to platform
- On-board 4,000W generator
- SkyGlazier® package glass and panel tray
- Nite-Bright® package **
- Light package ***
- Platform worklights
- Head and tail lights
- Plugs and sockets
- Hostile environment package *****
- Hydraulic oil cooler
- Skyline with beacon
- Soft Touch proximity system for 2.44 m platform
- Soft Touch proximity system for 1.83 m platform
- Synthetic Biodegradable Hydraulic Oil

* Low oil pressure and high coolant temperature alarms with shut-down enabled/disabled by analyser.

** Consists of six 40-watt lights, four turntable mounted lights and two platform mounted lights.

*** Includes platform mounted work lights and head & tail lights.

**** Includes console cover, boom wipers and cylinder bellows.

***** Available only with drop bar type entry

STANDARD SPECIFICATIONS

Performance

Working Height	48.1 m
Platform Height	46.1 m
Horizontal Outreach	22.90 m
Working Outreach **	23.55 m
Up and Over Height	18.40 m
Swing	360° (Continuous)
Platform Capacity (Restricted)	450 kg
Platform Capacity (Unrestricted)	270 kg
Platform Rotator (Hydraulic)	180°
Jib - Overall Length	2.44 m
Jib - Range of articulation	130° Vertical (+75°/-55°)
JibPLUS® - Range of Articulation	125° Horizontal
Machine weight *	26,027 kg
Maximum Ground Bearing Pressure	8.44 kg/cm ²
Maximum Tire Load	14,062 kg
Drive Speed 4WD	4.5 km/h
Gradeability 4WD	40%
Axle Oscillation	0.30 m
Turning Radius - Inside	710 m (Axles Retracted) / 2.30 m (Axles Extended)
Turning Radius - Outside	9.50 m (Axles Retracted) / 6.60 m (Axles Extended)

* Certain options or country standards may increase weight and/or dimensions.

** Incl. 0.65 m outreach beyond platform

Engine

Diesel Engine	Deutz TCD 3.6 L4 (74.4 Kw 100 hp) Stage V (DOC+DPF+SCR)
Fuel Tank Capacity	170 L

Tires

Tires	445/50D710 24 ply (Foam Filled)
-------	---------------------------------

Hydraulic System

Hydraulic Tank Capacity	352 L
Auxiliary Power	12V DC

STANDARD FEATURES

- 0.91 m x 2.44 m low mount platform
- Multiple function operation
- Full proportional drive joystick control with integral thumb steer switch
- Full proportional main boom and swing joystick control
- Variable speed dial control for telescope and platform rotate
- 2.44 m articulating jib
- JibPLUS® with 4 way axis jib including 180 degree horizontal motion
- Powered side stow on jib
- 180 degree powered platform rotator
- New led display with improved visibility in the direct sunlight
- Load sensing system
- AC cable to platform
- Deutz TCD 3.6 L4 (74.4 Kw 100 hp) - Stage V (DOC+DPF+SCR)
- Engine distress warning system *
- Gull-wing turntable hoods
- Swing-out engine tray
- Spark arresting type muffler
- Control ADE® (Advanced Design Electronics) System
- Hydrostatic transmission
- Four wheel drive
- Four wheel steer/two wheel steer/crab steer
- Horn
- Selectable dual platform capacity system (230 kg/450 kg)
- QuikStik® boom design feature
- Drive-out extending axles
- 5 degree tilt alarm and indicator light
- 445/50D710 Foam filled
- Lifting/tie down lugs
- Hour meter
- Ground control selector switch with key lock
- Load sensing hydraulics
- All motion alarm
- Catalytic purifier muffler
- Flashing amber beacon
- Skyline without beacon
- Skyline active system
- Platform tool tray
- 12V DC auxiliary power
- Clearsky SMART FLEET connectivity module - Subscription through On Line Express

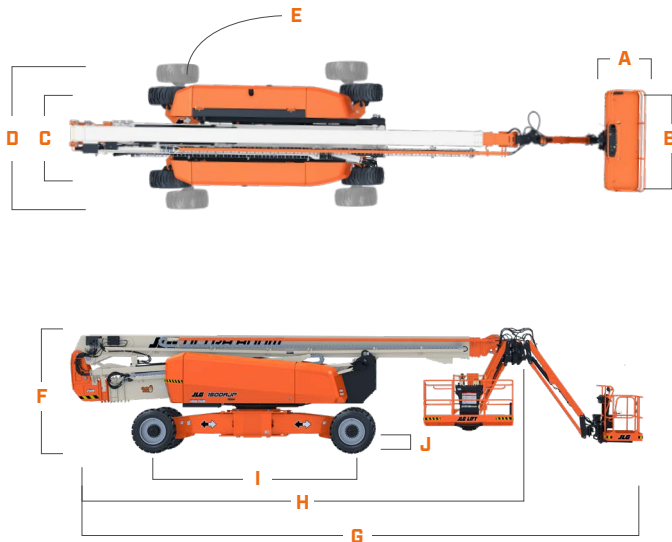
1500AJP

ARTICULATING ULTRA BOOM



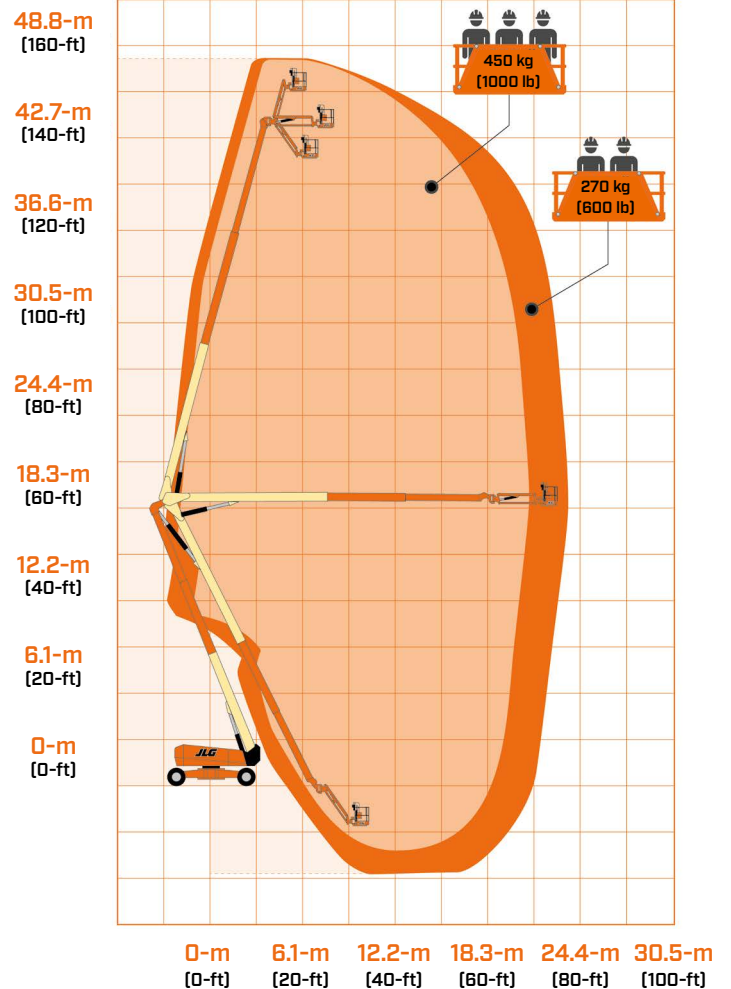
DIMENSIONS

All dimensions are approximate



A.	Platform Width	0.91 m
B.	Platform Length	2.44 m
C.	Overall Width (Axles Retracted)	2.50 m
D.	Overall Width (Axles Extended)	5.00 m
E.	Tailswing (working condition)	0.70 m
F.	Stowed Height	3.10 m
G.	Stowed Length	15.10 m
H.	Transport length	12.10 (jib folded sideways)
I.	Wheelbase	4.60 m (Axles Extended) 5.20 m (Axles Retracted)
J.	Ground Clearance	0.65 m

REACH DIAGRAM



IMPORTANT

JLG is continually researching and developing products and reserves the right to make modifications without prior notice. All data in this document is indicative. Certain options or country standards will increase weight. Specifications may change to meet country standards or with the addition of optional equipment.

Due to continuous product improvements, JLG Industries reserves the right to make specification and/or equipment changes without prior notification.



JLG EMEA BV
Polaris Avenue 63
2132 JH Hoofddorp
The Netherlands
Tel.: +31 (0)23 565 5665
www.jlg.com

An Oshkosh Corporation Company