

E SERIES

ELECTRIC ARTICULATING BOOM LIFTS



Performance

Platform Height

| | |
|----------|---------|
| E300AJP | 8.97 m |
| E400AJPn | 12.19 m |
| E450AJ | 13.72 m |

Horizontal Outreach

| | |
|----------|--------|
| E300AJP | 6.12 m |
| E400AJPn | 6.83 m |
| E450AJ | 7.24 m |

Up and Over Height

| | |
|----------|--------|
| E300AJP | 4.0 m |
| E400AJPn | 6.55 m |
| E450AJ | 7.7 m |

Swing

| | |
|----------|---------------------|
| E300AJP | 355° Non-Continuous |
| E400AJPn | 360° Non-Continuous |
| E450AJ | 360° Non-Continuous |

Platform Capacity

| | |
|--|--------|
| | 230 kg |
|--|--------|

Platform Rotator

| | |
|--|----------------|
| | 180° Hydraulic |
|--|----------------|

Weight

| | |
|----------|----------|
| E300AJP | 7,100 kg |
| E400AJPn | 6,759 kg |
| E450AJ | 6,670 kg |

Overall Jib Length

| | |
|----------|--------|
| E300AJP | 1.22 m |
| E400AJPn | 1.24 m |
| E450AJ | 1.24 m |

Jib Rotation Range

| | |
|----------|------|
| E300AJP | 180° |
| E400AJPn | 180° |
| E450AJ | N/A |

Jib Articulation Range

| | |
|----------|---------------------|
| E300AJP | 144° (+84° / - 60°) |
| E400AJPn | 141° (+86° / -55°) |
| E450AJ | 141° (+86° / -55°) |

Drive Speed

| | |
|----------|----------|
| E300AJP | 7.2 km/h |
| E400AJPn | 7.2 km/h |
| E450AJ | 7.2 km/h |

Gradeability

| | |
|----------|-----|
| E300AJP | 25% |
| E400AJPn | 30% |
| E450AJ | 30% |

Turning Radius (Inside)

| | |
|----------|--------|
| E300AJP | 1.52 m |
| E400AJPn | 0.86 m |
| E450AJ | 0.61 m |

Turning Radius (Outside)

| | |
|----------|--------|
| E300AJP | 3.10 m |
| E400AJPn | 3.15 m |
| E450AJ | 3.15 m |



Standard Specifications

Power

| | |
|-------------------|--|
| Electrical System | 48V DC |
| Batteries | 8 x 6V, 370 amp-hr (305 amp-hr on E300AJP) |
| Drive Motors | Dual Electric Traction—AC |

Hydraulic System

| | |
|--------------|------------------------------------|
| E300AJP | 11.4 L |
| E400AJPn | 19.0 L |
| E450AJ | 19.0 L |
| Motor / Pump | Permanent Magnet Motor / Gear Pump |

Tyres

| | |
|----------|---|
| E300AJP | 25 x 7 x 12 Solid Non-Marking |
| E400AJPn | Front 22 x 6 x 17.5 Solid Non-Marking Back 25 x 7 x 12 Solid Non-Marking |
| E450AJ | 240/ 55-17.5 Foam Filled Non-marking |

Standard Features

- Automatic Traction Control (ATC)
- Side Entry Platform
- Inward Self-Closing Self-Locking Swing Gate
- 180 Degree Hydraulic Platform Rotator
- Tilt Alarm/Indicator Light
- Hourmeter
- Proportional Controls
- Battery Condition Indicator
- Lifting/Tie Down Lugs
- Horn
- Cylinder bellows
- Motion Alarm
- ClearSky Smart Fleet Telematics
- SkyGuard Skyline

Accessories & Options

- Mesh to Mid Rail
- 1/2 in. Air Line to Platform
- Skyguard
- Squawker / White Noise Motion Alarm
- Acrylic Console Shield
- Platform Worklights
- AC Outlet to Platform including ELCB

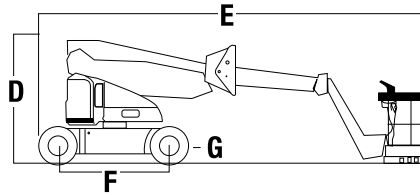
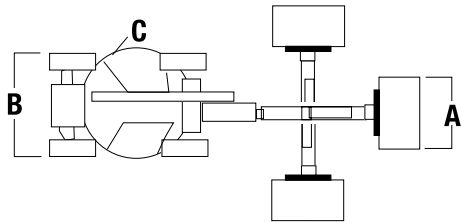
E SERIES

ELECTRIC ARTICULATING BOOM LIFTS



Dimensions

All dimensions are approximate.



A. Platform Size

| | |
|----------|---------------|
| E300AJP | 0.76 x 1.22 m |
| E400AJPn | 0.76 x 1.22 m |
| E450AJ | 0.76 x 1.52 m |

C. Tailswing

| | |
|----------|------|
| E300AJP | Zero |
| E400AJPn | Zero |
| E450AJ | Zero |

E. Stowed Length

| | |
|----------|--------|
| E300AJP | 5.74 m |
| E400AJPn | 6.71 m |
| E450AJ | 6.45 m |

G. Ground Clearance

| | |
|----------|-------|
| E300AJP | 10 cm |
| E400AJPn | 13 cm |
| E450AJ | 20 cm |

B. Overall Width

| | |
|----------|--------|
| E300AJP | 1.22 m |
| E400AJPn | 1.5 m |
| E450AJ | 1.75 m |

D. Stowed Height

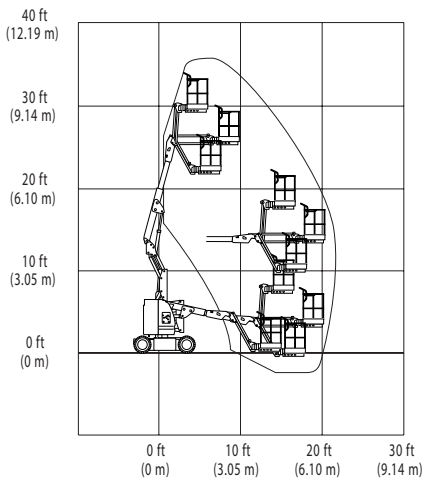
| | |
|----------|--------|
| E300AJP | 2.01 m |
| E400AJPn | 1.97 m |
| E450AJ | 2.01 m |

F. Wheelbase

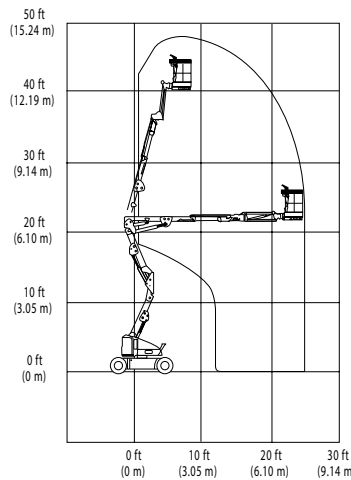
| | |
|----------|--------|
| E300AJP | 1.65 m |
| E400AJPn | 2.01 m |
| E450AJ | 2.01 m |

Reach Diagrams

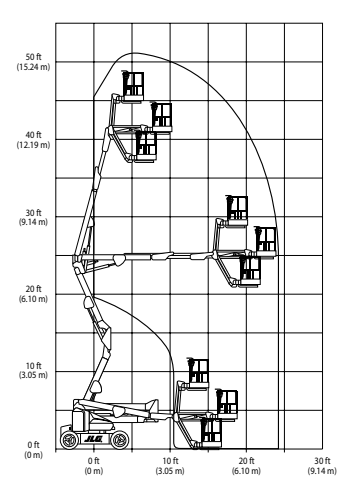
E300AJP



E400AJP NARROW



E450AJ



The JLG "1 & 5" Warranty

The JLG "1 & 5" Warranty JLG Industries, Inc. backs its products with its exclusive "1 & 5" Warranty. We provide coverage on all products for one (1) full year and cover all specified major structural components for five (5) years. Due to continuous product improvements, we reserve the right to make specification and/ or equipment changes without prior notification.

JLG Industries (Australia)

358 Park Road
Regents Park, NSW 2143
Telephone 02 8718 6300
Fax 02 8718 6377
www.jlg.com.au

An Oshkosh Corporation Company