

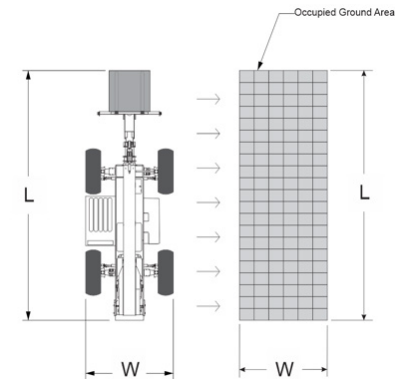
# Floor Loading Specs

# SkyTrak Telehandlers



Model	Serial Number Range	Maximum Laden Machine Weight (machine in stowed position)		Occupied Ground Area		Occupied Ground Pressure		Maximum Outrigger Load		Outrigger Maximum Ground Bearing Pressure		Maximum Tire Load		Maximum Tire Ground Bearing Pressure			
		lbs	kg	ft <sup>2</sup>	m <sup>2</sup>	lb/ft <sup>2</sup>	kg/m <sup>2</sup>	lbs	kg	lb/in <sup>2</sup>	kg/cm <sup>2</sup>	lbs	kg	lb/in <sup>2</sup>	kg/cm <sup>2</sup>	lb/ft <sup>2</sup>	kg/m <sup>2</sup>
3013	SOP - present	9534	4325	40	3.7	236	1155	N/A	N/A	N/A	N/A	4767	2163	75.3	5.3	10843	53000
6034	01601116306 - present	23280	10560	173	16.1	135	657	N/A	N/A	N/A	N/A	11640	5280	190	13.4	27360	134000
6036 discont.	0160069720-0160119879	31302	14202	191	17.8	164	799	N/A	N/A	N/A	N/A	15651	7101	177	12.4	25488	124000
6042 discont.	0160069721-0160119980	35152	15947	198	18.4	178	868	N/A	N/A	N/A	N/A	17575	7973	187	13.1	26928	131000
6042	0160116309 - present	28152	12770	186	17.3	151	740	N/A	N/A	N/A	N/A	14076	6385	211	14.8	30384	148350
8042 discont.	0160069723-0160072089	38252	17354	196	18.2	195	953	N/A	N/A	N/A	N/A	19126	8677	190	13.4	27360	134000
8042	0160120519 - present	33352	15128	201	18.7	166	809	N/A	N/A	N/A	N/A	16676	7564	164	11.5	23566	115058
10042 discont.	0160069728-0160147263	41630	18882	216	20.1	193	941	20815	9441	98	6.9	20815	9441	168	11.8	24192	118000
10042	0160147313-present	41008	18601	210	19	195	954	20504	9301	98	6.9	20504	9301	200	14.1	28800	141000
10054 discont.	0160069719-0160142459	42980	19497	214	19.9	200	979	21490	9749	102	7.2	21490	9749	172	12.1	24768	121000
10054	0160142460-present	42108	19100	208	19	202	987	21054	9550	102	7.2	21054	9550	205	14.4	29520	144000
12054 discont.	0160135278-0160148829	46580	21129	214	19.9	217	1061	23290	10565	112	7.9	23290	10565	183	12.9	26352	129000
12054	0160148830-present	44708	20280	208	19	215	1048	22354	10140	112	7.9	22354	10140	223	15.7	32112	157000

- Machine Stowed Position - Boom level and fully retracted, outriggers up.
- Maximum Laden Machine Weight - The combined maximum weight of the machine, attachment, and load when in the stowed position.
- Occupied Ground Area - The ground area under the machine in the stowed position. Defined as the area of the rectangle formed by the extreme edges of the machine projected onto the ground, see image. Calculated as the projected length, including standard attachment forks, multiplied by the projected width.
- Average Ground Pressure - The average pressure that the machine exerts on the ground. Calculated as Max Laden Machine Weight divided by Occupied Ground Area.
- Maximum tire/Outrigger Load - The maximum load that is supported by one front tire or outrigger pad when the entire weight is on the front axle or outrigger assembly. Calculated as Maximum Laden Machine Weight divided by 2 (two front tires).
- Maximum Tire/Outrigger Ground Bearing Pressure - The maximum pressure that is exerted on the ground by one front tires or outrigger pad when the entire weight is on the front axle or outrigger assembly.



Note: This chart is for reference and covers ANSI specs only. Due to continuous improvements, JLG Industries, Inc., reserves the right to make specification changes without prior notification.