

# 800S HC3

## TELESCOPIC HI-CAPACITY BOOM LIFT

BOOM LIFT



**3 CAPACITY ZONES - EACH  
RATED FOR OCCUPANTS +  
TOOLS/MATERIALS**

# HC3



### KEY SPECS

**Platform Height**  
80-ft / 24.38-m

**Drive Speed**  
3.5-mph / 5.6 km/h

**Horizontal Outreach**  
71-ft 3-in / 21.78-m

**Platform Capacity**  
Restricted: 750/1,000-lb / 340/454-kg  
Unrestricted: 500-lb / 227-kg

### KEY FEATURES

- Utilizes three working zones for enhanced capacity; up to three workers and tools can fit onto the platform.
- Delivers a zero calibration automatic load sensing system that eliminates the need to use external weights to calibrate the machine.
- Upgraded light panel for more visibility in the sun and chassis tilt alarm that alerts the operator when the machine is on a slope that exceeds 4 Degrees.
- Available accessories and options provide the flexibility to upfit the machine to meet unique job requirements.

## ACCESSORIES & OPTIONS

- 1/2-in Air Line to Platform
- AC Generator, 2500W or 4000W
- Accessory Packages
  - SkyGlazier® Package
  - SkyPower® Package
  - SkyWelder® Package
- Arctic Package<sup>1</sup>
- Bolt On Fall Arrest System
- Cold Weather Package<sup>2</sup>
- Hostile Environment Package<sup>3</sup>
- Light Packages
- Platform Mesh to Mid or Top Rail
  - Aluminum or Plastic
- Platforms
  - Drop Bar, 30 x 36-in, 30 x 48-in, 30 x 60-in, 36 x 72-in, 36 x 96-in
  - Fall Arrest, Rear Entry, 36 x 72-in, 36 x 96-in
  - Inward Self-Closing Swing Gate, 30 x 48-in, 30 x 60-in, 36 x 72-in, 36 x 96-in
- Tri-Entry, Drop Bar or Swing Gate, 36 x 72-in, 36 x 96-in
- SkySense® Enhanced Detection System
- Soft Touch System

## STANDARD SPECIFICATIONS

### Performance

|                                  |                                  |
|----------------------------------|----------------------------------|
| Platform Height (Elevated)       | 80-ft / 24.38-m                  |
| Horizontal Outreach              | 71-ft 3-in / 21.78-m             |
| Swing                            | 360 Degrees Continuous           |
| Platform Capacity (Restricted)   | 750/1,000-lb / 340/454-kg        |
| Platform Capacity (Unrestricted) | 500-lb / 227-kg                  |
| Platform Rotator                 | 180 Degrees Hydraulic            |
| Weight*                          | 34,150-lb / 15,490-kg            |
| Max. Ground Bearing Pressure     | 72 psi / 5.06 kg/cm <sup>2</sup> |
| Drive Speed                      | 4.13-mph / 6.65 km/h             |
| Gradeability 2WD                 | 25%                              |
| Gradeability 4WD                 | 45%                              |
| Tilt Cut Out                     | 4 Degrees                        |
| Turning Radius (Inside)          | 14-ft 7.7-in / 4.5-m             |
| Turning Radius (Outside)         | 21-ft 7-in / 6.6-m               |

### Engine

|   |                   |
|---|-------------------|
| Dual Fuel – Ford-MSG425-DF              | 84 hp / 62.6 kW   |
| Diesel Fuel – Deutz D2.9L4 Tier 4 Final | 67 hp / 50 kW     |
| Fuel Tank Capacity                      | 31 gal / 117.35 L |

### Tires

|          |  |
|----------|--|
| Standard | Foam Filled, 15-625(24.5)  |
| Optional | Foam Filled Non-Marking, 18-625<br>Foam Filled, 18-625(24.5)<br>Foam Filled, Turf & Sand, 41x18LLx22.5 |

### Hydraulic System

|          |                         |
|----------|-------------------------|
| Capacity | 48 gal / 181.7 L        |
| Pump     | Fixed Displacement Gear |

## STANDARD FEATURES

- 4 Degree Tilt Alarm / Indicator Light
- 12V-DC Auxiliary Power
- 110V-AC Receptacle in the Platform
- 180 Degree Hydraulic Platform Rotator
- Center Storage Tray
- ClearSky Smart Fleet™ Hardware (CS550)
- Control ADE® System
- Glow Plugs (Diesel Engines)
- Horn
- Hourmeter
- Hydrostatic Drive
- Improved Multi-Function Controls
- Interactive Display at Ground Controls
- LED Motion / Amber Beacon (CS550)
- Lifting / Tie Down Lugs
- Motion Alarm
- Oscillating Axle
- Platform Console Machine Status Light Panel\*\*
- Proportional Controls
- Rapid Replaceable Platform with Self-Closing Gate
- SkyGuard SkyLine™
- Swing-Out Engine Tray
- USB-A and USB-C Charger

\*Certain Options or Country Standards Increase Weight.

\*\*Provides Indicator Lights at Platform Control Console for System Distress, Low Fuel, Degree Tilt Light and Foot Switch Status.

1. Includes arctic hydraulic hoses (drive and steer only) and main boom cable, arctic hydraulic oil, extreme cold engine oil, fuel conditioner, engine block heater, battery blanket, glow plugs, hydraulic tank heater, and oversized footswitch.  
2. Includes battery blanket, hydraulic tank heater, block heater.  
3. Includes console cover, boom wipers and cylinder bellows.

Note: Some options may increase lead time, and some option combinations may not be available. Additional accessories and options available via JLG Aftermarket.

# 800S HC3

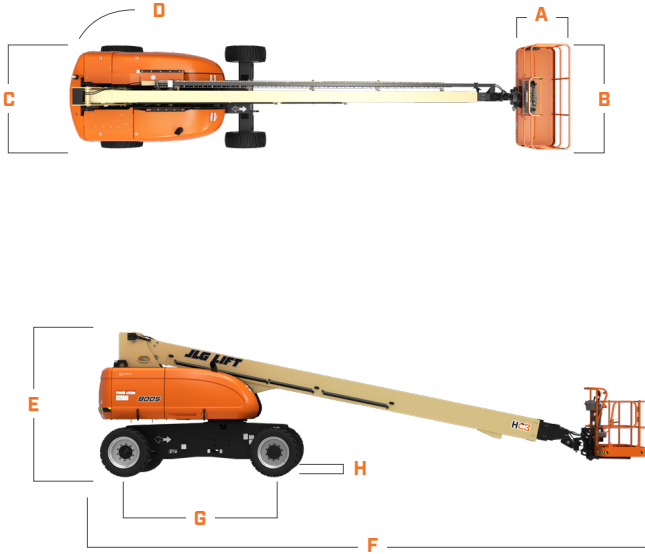
TELESCOPIC HI-CAPACITY BOOM LIFT

BOOM LIFT



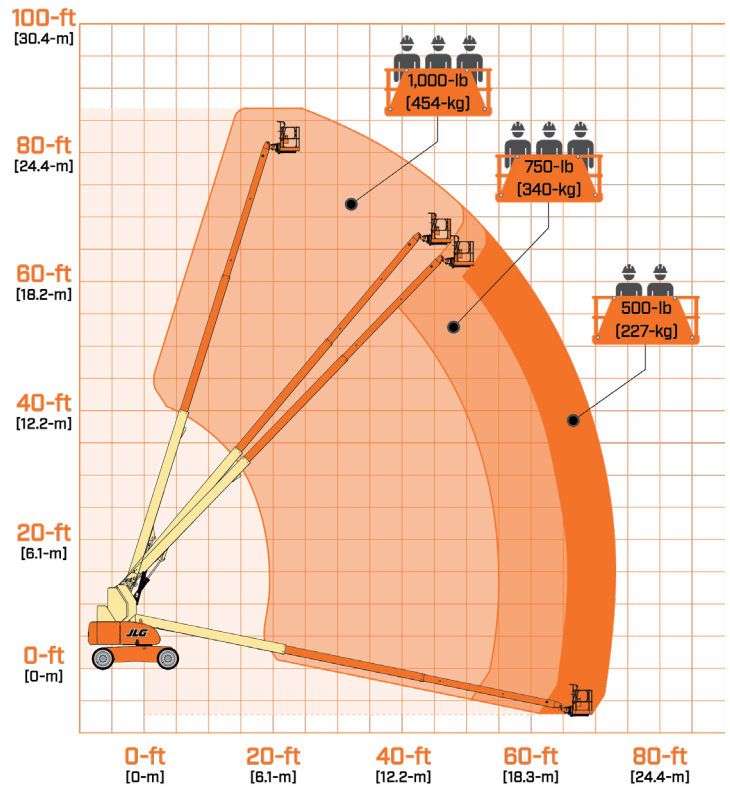
## DIMENSIONS

All dimensions are approximate



|                     |                      |
|---------------------|----------------------|
| A. Platform Width   | 36-in / 91-cm        |
| B. Platform Length  | 96-in / 2.44-m       |
| C. Machine Width    | 8-ft 2-in / 2.49-m   |
| D. Tailswing        | 4-ft 8-in / 1.42-m   |
| E. Machine Height   | 9-ft 8.1-in / 2.95-m |
| F. Machine Length   | 37-ft 6-in / 11.43-m |
| G. Wheelbase        | 10-ft / 3.05-m       |
| H. Ground Clearance | 11-in / 28-cm        |

## REACH DIAGRAMS



We provide coverage for one (1) full year, and cover all specified-major structural components for five (5) years. Due to continuous product improvements, we reserve the right to make specification and/or equipment changes without prior notification. This machine meets or exceeds applicable ANSI and CSA requirements based on machine configuration as originally manufactured for intended applications. Please reference the serial number plate on the machine for additional information.



JLG INDUSTRIES, INC.  
Toll-free US 877-JLG-LIFT  
JLG.com

An Oshkosh Corporation Business