

TOUCAN 12E PLUS

MAST BOOM LIFTS



STANDARD SPECIFICATIONS

Performance

Working height	12.65m
Platform height	10.65m
Working outreach **	6.20 m
Up and over height	6.95 m
Swing Non-Continuous	345°
Platform Capacity ***	👤 200 kg
Jib - Overall Length	4.14m
Jib - Range of articulation	120° (+60° / -60°)
Machine weight *	4,900 kg
Maximum Ground Bearing Pressure	14,0 kg/cm ²
Drive Speed - lowered	6.0 km/h
Drive Speed - elevated	0.75 km/h
Gradeability	25%
Turning Radius - Inside	0.75m
Turning Radius - Outside	2.60m
Break over angle	25%

* Certain options or country standards may increase weight and/or dimensions.

** Incl. 0.65 m outreach beyond platform

*** Capacity shown is maximum 2 persons indoor and outdoor (12.5 m/s wind speed)

Power Source

Electrical system	48V DC
Batteries (deep cycle)	48V - 260 A/hr
Drive motors	Dual AC motors
Charger	48V - 25A

Hydraulic System

Capacity	21,5L
Electrical (pump) motor	3.5kw - 48V DC

Tyres

Tyres (non-marking solid)	457 mm x 178 mm
---------------------------	-----------------

KEY SPECS

Platform Capacity:

200 kg 👤

Platform Size [L x W]:

0.70m x 1.05 m

Overall Width:

1.20 m

Overall length [standard platform]:

3.65 m

KEY FEATURES

- Electric power for zero emissions and near-silent running indoors
- Extended reach and up-and-over height with heavy duty forklift-style mast and versatile articulating jib
- No waiting with immediate-response AC drive motors for greater torque and efficiency
- Get into more places with compact dimensions and precise control system

ACCESSORIES & OPTIONS

- Powered platform rotation
- 8 mm air line to platform
- 48V 255A/hr sealed AGM batteries in lieu of standard
- Rotation cylinder protection
- LED Platform worklight
- Food compatible lubricants
- Plugs & Sockets *
- Control panel protection cover

* Included with circuit breaker on AC cable to platform option. NB 110V or 230V power must be specified

STANDARD FEATURES

- 0.70 m x 1.05 m (L x W) steel platform
- Slide bar rear entry
- Full proportional drive and slew joystick control with integral thumb steer switch
- Mini joysticks provide proportional mast, telescope and jib lift/lower functions
- 3.19 m articulating jib
- Function enable with enlarged LCD function status display
- Load sensing system
- AC power cable to platform
- Large tool tray
- Two wheel direct electric drive
- Brushless AC drive motors
- Powered battery fill
- Auto power save when idle
- Low charge function cut-out
- On-board diagnostics with integral display
- Automatic rear wheel brakes
- Sculptured polyester hoods
- Heavy duty steel roller mast with 345° rotation
- Chain slack detection system
- 3 degree tilt alarm and indicator light
- 1.20 m wide frame
- Lifting /tie down rings
- Ground control selector switch with key lock
- Battery discharge indicator
- Hour meter
- Horn
- Drive orientation system
- Lanyard anchor points
- Xenon strobe light
- Manual descent system
- Clearsky SMART FLEET connectivity module - Subscription through On Line Express
- Aktives Skyline-Skyguardsystem

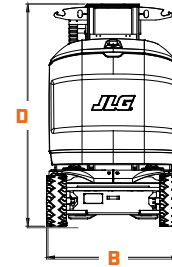
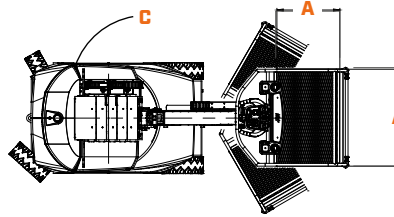
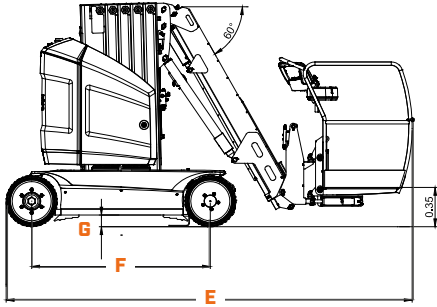
TOUCAN 12E PLUS

MAST BOOM LIFTS



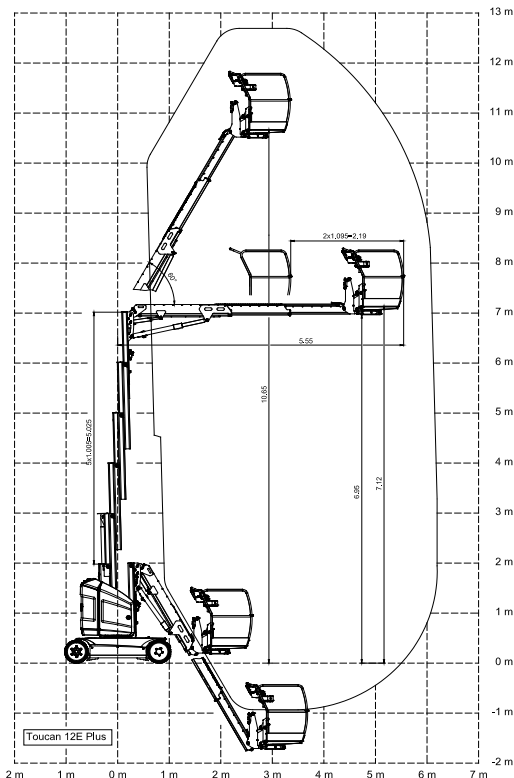
DIMENSIONS

All dimensions are approximate



A. Platform Size	0.70 m x 1.05 m	D. Stowed Height	1.99 m
B. Overall Width	1.20 m	E. Stowed Length	3.65 m
C. Tailswing (working condition)		F. Wheelbase	1.60 m
		G. Ground Clearance	10 cm

REACH DIAGRAM



IMPORTANT

JLG is continually researching and developing products and reserves the right to make modifications without prior notice. All data in this document is indicative. Certain options or country standards will increase weight. Specifications may change to meet country standards or with the addition of optional equipment.

Due to continuous product improvements, JLG Industries reserves the right to make specification and/or equipment changes without prior notification.



JLG EMEA BV
 Polaris Avenue 63
 2132 JH Hoofddorp
 The Netherlands
 Tel.: +31 (0)23 565 5665
www.jlg.com

An Oshkosh Corporation Company