

# TOUCAN 8E

ARTICULATING HI-CAPACITY



## KEY SPECS

**Platform Capacity**  
200 kg

**Platform Size XL (L x W)**  
0.85 x 0.92 m

**Overall Width**  
0.99 m

**Overall length of the XL platform**  
2.10 m

## KEY FEATURES

- Environmentally friendly, silent and emission free model with the maintenance free AGM batteries
- Reach where others can't reach with the extended up and over of 5.08 m
- Maximize productivity with the bigger platform allowing to carry 2 people
- Get into more places with very compact stowed dimensions

## ACCESSORIES & OPTIONS

- 1.10 m x 0.90 m (Lx W) XL platform
- Low temperature hydraulic fluid
- 8 mm air line to platform
- Plugs & Sockets \*
- Acoustic alarm
- LED platform work lights
- Food compatible hydraulic fluid
- Control panel protection cover

## STANDARD SPECIFICATIONS

### Performance

Working height	8.20 m
Platform height	6.20 m
Working outreach **	2.65 m
Up and over height	5.08 m
Swing (not continuous)	345°
Platform capacity ***	200 kg
Jib - overall length	1.17 m
Jib - range of articulation	112° (+45° / -67°)
Machine weight *	2,100 kg
Maximum ground bearing pressure	17,2 kg/cm <sup>2</sup>
Drive speed - lowered	5.5 km/h
Drive Speed - elevated	0.75 km/h
Turning radius (outside)	0.55 m
Turning radius (inside)	1.99 m
Gradeability	25%
Break over angle	25%

\* Certain options or country standards may increase weight and/or dimensions.

\*\* Incl. 0.65 m outreach beyond platform

\*\*\* Capacity shown is maximum two persons indoor and outdoor (12.5 m/s wind speed)

### Power Source

Electrical system	24V DC
Batteries (AGM)	24 V - 213 A/hr
Drive motors	Dual AC motors
Charger	24V - 27A

### Hydraulic System

Capacity	7.5 L
Electrical (pump) motor	3kW 24V DC

### Tyres

Tyres (non-marking solid)	406 x 125 mm
---------------------------	--------------

## STANDARD FEATURES

- 0.85 m x 0.90 m (L x W) steel platform
- On-board 110V/230V HF battery charger
- Lifting /tie down rings
- Slide bar rear entry
- Powered battery fill
- Ground control selector switch with key lock
- Full proportional drive and slew joystick control with integral thumb steer switch
- Auto power save when idle
- Battery discharge indicator
- Mini joysticks provide proportional mast and jib lift/lower functions (and telescope on 12 m models)
- Low charge function
- Hour meter
- 1.17 m articulating jib
- On-board diagnostics with integral display
- Horn
- Function enable with enlarged LCD function status display
- Automatic rear wheel brakes
- Drive orientation system
- Load sensing system
- Sculptured polyester hoods
- Lanyard anchor points
- AC power cable to platform
- Heavy duty steel roller mast with 345° rotation
- Xenon strobe light
- Large tool tray
- Chain slack detection system
- Manual descent system
- Two wheel direct electric drive
- 2.5 degree tilt alarm and indicator light
- Clearsky SMART FLEET connectivity module - Subscription through On Line Express
- Brushless AC drive motors
- 406 x 125 solid non-marking tyres
- Skyline Skyguard active system
- 24V 180 A/hr sealed AGM batteries
- Passive pothole protection system
- 0.99 m wide frame

\* Included with circuit breaker on AC cable to platform option. NB 110V or 230V power must be specified

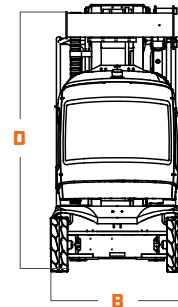
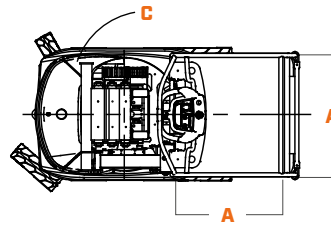
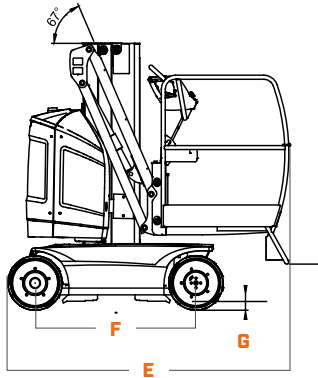
# TOUCAN 8E

ARTICULATING HI-CAPACITY



## DIMENSIONS

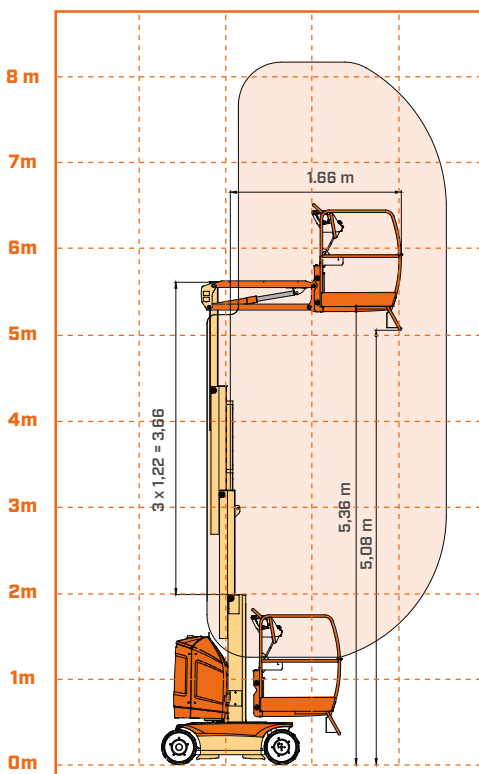
All dimensions are approximate



- A. Platform Size 0.85 x 0.92 m
- B. Overall Width 0.99 m
- C. Tailswing (working condition) 17 cm

- D. Stowed Height 1.99 m
- E. Stowed Length 2.10 m
- F. Wheelbase 1.20 m
- G. Ground Clearance 10 cm

## REACH DIAGRAM



### IMPORTANT

JLG is continually researching and developing products and reserves the right to make modifications without prior notice. All data in this document is indicative. Certain options or country standards will increase weight. Specifications may change to meet country standards or with the addition of optional equipment.

Due to continuous product improvements, JLG Industries reserves the right to make specification and/or equipment changes without prior notification.



**JLG EMEA BV**  
 Polaris Avenue 63  
 2132 JH Hoofddorp  
 The Netherlands  
 Tel.: +31 (0)23 565 5665  
[www.jlg.com](http://www.jlg.com)

**An Oshkosh Corporation Company**