



### Performance

Rated Capacity	4,082 kg	9,000 lb
Maximum Lift Height	13.1 m	43 ft
Load at Max Height	3,175 kg	7,000 lb
Maximum Forward Reach	9.3 m	30 ft 5 in.
Load at Max Reach	544 kg	1,200 lb
Frame Leveling	10°	
Lift Speed (boom retracted)		
Up	13 sec	
Down	9 sec	
Boom Speed		
Extended	15 sec	
Retracted	13 sec	
Top Travel Speed (4-Speed)	31 kph	19 mph
Drawbar Pull (loaded)	101.2 kN	22,751 lb
Outside Turning Radius	3.67 m	12 ft
Operating Weight	11,300 kg	24,912 lb

### Standard Specifications

#### Engine

Make and Model	Cummins QSF3.8L	
No. of Cylinders	4	
Displacement	3.8 L	232 cu in.
Gross Power Basic	83 kW	110 hp
Maximum Torque @ 1500 rpm	472 Nm	348 lb-ft
Fuel Tank Capacity	145 L	38.3 gal

#### Transmission

Powershift 4-speed forward and 3-speed reverse.

#### Axles

Trunnion mounted planetary steer axles. Integral steer cylinder.  
High bias limited slip differential on front axle.

#### Brakes

Service brakes are inboard wet disc brake on front and rear axles.  
Parking brakes are wet disc spring-applied hydraulic release on front axle.

#### Tires

Standard	370/75-28
Optional	Foam-Filled or Solid

#### Cab

- Certified ROPS/FOPS structure
- Horn
- Tilt & declutch on joystick
- Adjustable seat
- Single joystick controls
- Anti-theft

#### Steering 4-Wheel

Power steering with manual backup.  
Operator selectable 4-wheel circle, 4-wheel crab, 2-wheel front.

#### Instruments

- Volt meter
- Engine oil pressure gauge
- Fuel gauge
- Hourmeter
- Temperature gauge

#### Hydraulic System-Implement

Capacity	151.4 L	40 gal
----------	---------	--------

Load sense piston pump. Auxiliary hydraulics used for all attachments equipped with cylinders or other hydraulic components.

### Accessories & Options

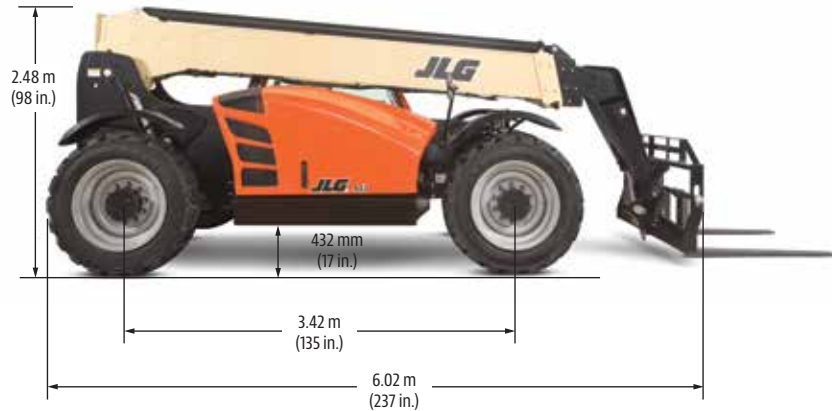
- Enclosed Cab
- Auxiliary Electrics
- Road Lights
- Air Conditioning
- Work Lights
- Rotating Beacon
- Hydraulic Coupler
- Fenders
- Brick Guards
- Arctic Package
- Multi-Function Display with Reversing Camera
- Ride Control
- Reverse Sensing System
- Boom Brushes
- Secondary Steering
- Wiper Package

### Attachments

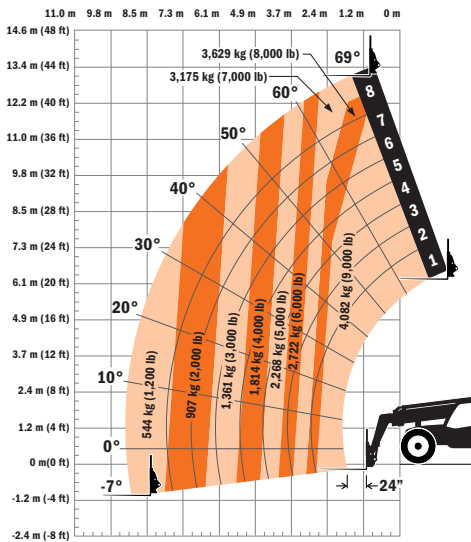
Standard Carriage	1.3 m	50 in.
	1.5 m	60 in.
	1.8 m	72 in.
Side-Tilt Carriage	1.3 m	50 in.
	1.5 m	60 in.
	1.8 m	72 in.
Swing 90° Carriage	1.8 m	72 in.
Dual Fork Positioning Carriage	1.3 m	50 in.
Side-Shift Carriage	1.3 m	50 in.
Tower	2.4 m	8 ft
Tower with Side Tilt	2.4 m	8 ft
Pallet Forks	60 mm x 102 mm x 1.2 m	2.36 in. x 4 in. x 48 in.
	60 mm x 127 mm x 1.2 m	2.36 in. x 5 in. x 48 in.
	51 mm x 152 mm x 1.8 m	2.00 in. x 6 in. x 72 in.
Lumber Forks	51 mm x 178 mm x 1.5 m	2.00 in. x 7 in. x 60 in.
	60 mm x 152 mm x 1.5 m	2.36 in. x 6 in. x 60 in.
Cubing Forks	51 mm x 51 mm x 1.2 m	2 in. x 2 in. x 48 in.
Fork Extensions	2.3 m	90 in.
Material Bucket	1.8 m, 0.76 m <sup>3</sup>	72 in., 1.0 cu yd
	2.4 m, 1.15 m <sup>3</sup>	96 in., 1.5 cu yd
	2.6 m, 1.53 m <sup>3</sup>	102 in., 2.0 cu yd
Grapple Bucket	2.4 m, 1.34 m <sup>3</sup>	96 in., 1.75 cu yd
Truss Boom	0.9 m, 1,814 kg Capacity	3 ft (winch), 4,000 lb Capacity
Truss Boom	3.7 m, 907 kg	12 ft, 2,000 lb
	4.6 m, 907 kg	15 ft, 2,000 lb
	3.7 m, 907 kg	12 ft with winch, 2,000 lb
Fork Mounted Work Platform	2.4 m, 455 kg Capacity	8 ft, 1,000 lb Capacity
Bucket-Fork Mounted	1.5 m, 1.0 m <sup>3</sup>	60 in., 1.3 cu yd
Material Handling Arm	1,814 kg Capacity	4,000 lb Capacity
Trash Hopper	1.8 m, 1.5 m <sup>3</sup>	72 in., 1.9 cu yd
Lifting Hook-Fork Mounted		
Lifting Hook-Coupler Mounted		

### Dimensions

All dimensions are approximate.



### Load Chart



### The JLG "1 & 5" Warranty

JLG Industries, Inc. backs its products with its exclusive "1 & 5" Warranty. We provide coverage on all products for one (1) full year, and cover all specified major structural components for five (5) years. Due to continuous product improvements, we reserve the right to make specification and/or equipment changes without prior notification. This machine meets or exceeds applicable OSHA Regulations in 29 CFR 1910.67, 29 CFR 1926.453, ANSI A92.5-2006, and CSA Standard CAN3-B354.2-M82, as originally manufactured for intended applications.

Part No.: 3132241LA  
0915  
Printed in USA



**JLG Industries, Inc.**  
1 JLG Drive  
McConnellsburg, PA 17233-9533  
Telephone 717-485-5161  
Toll-free in US 877-JLG-LIFT  
Fax 717-485-6417  
[www.jlg.com](http://www.jlg.com)

**An Oshkosh Corporation Company**